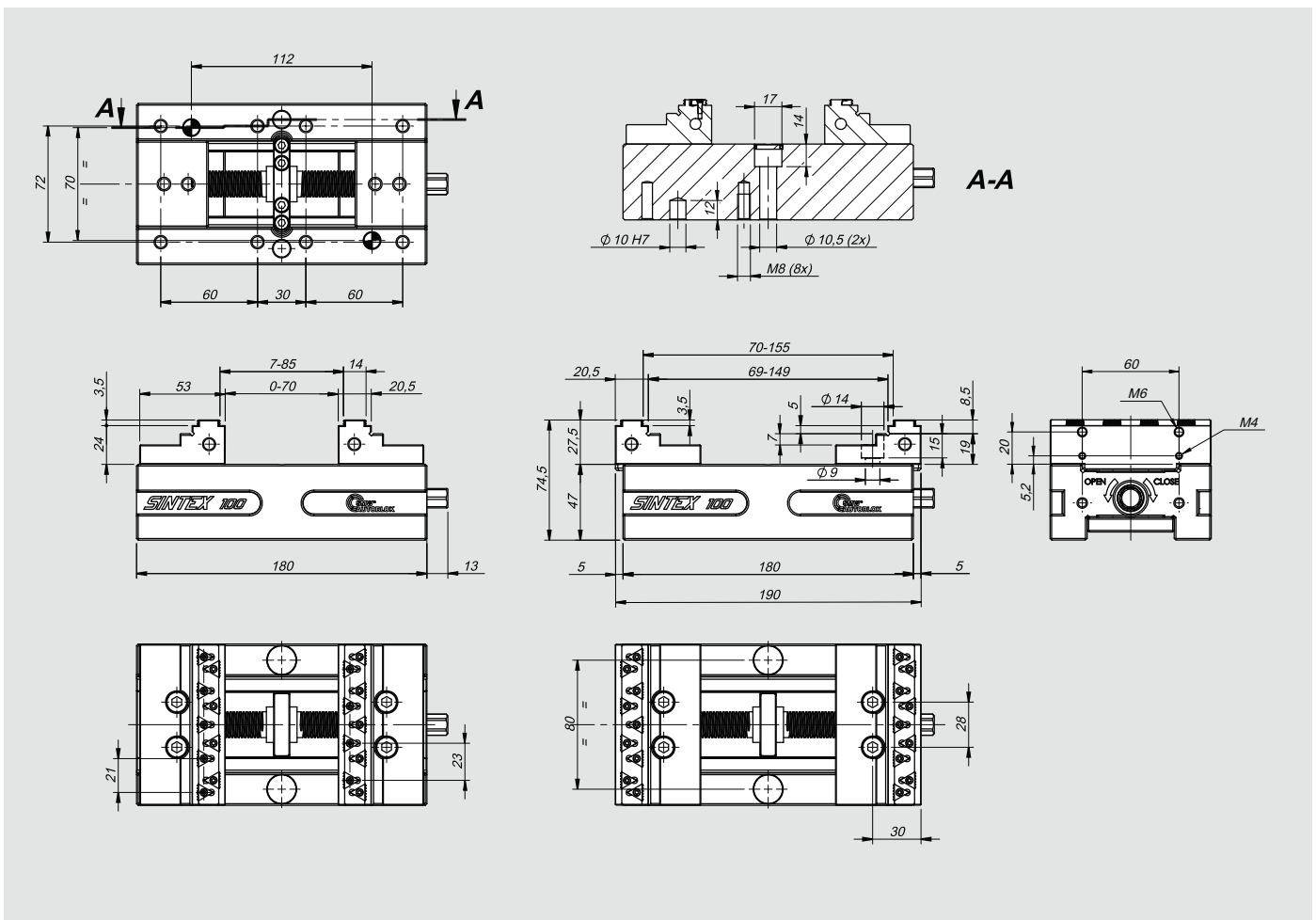


SINTEX 100

PREMIUM



Complete with 10 SinterGrip inserts, 10 protection inserts, wrench, workstop

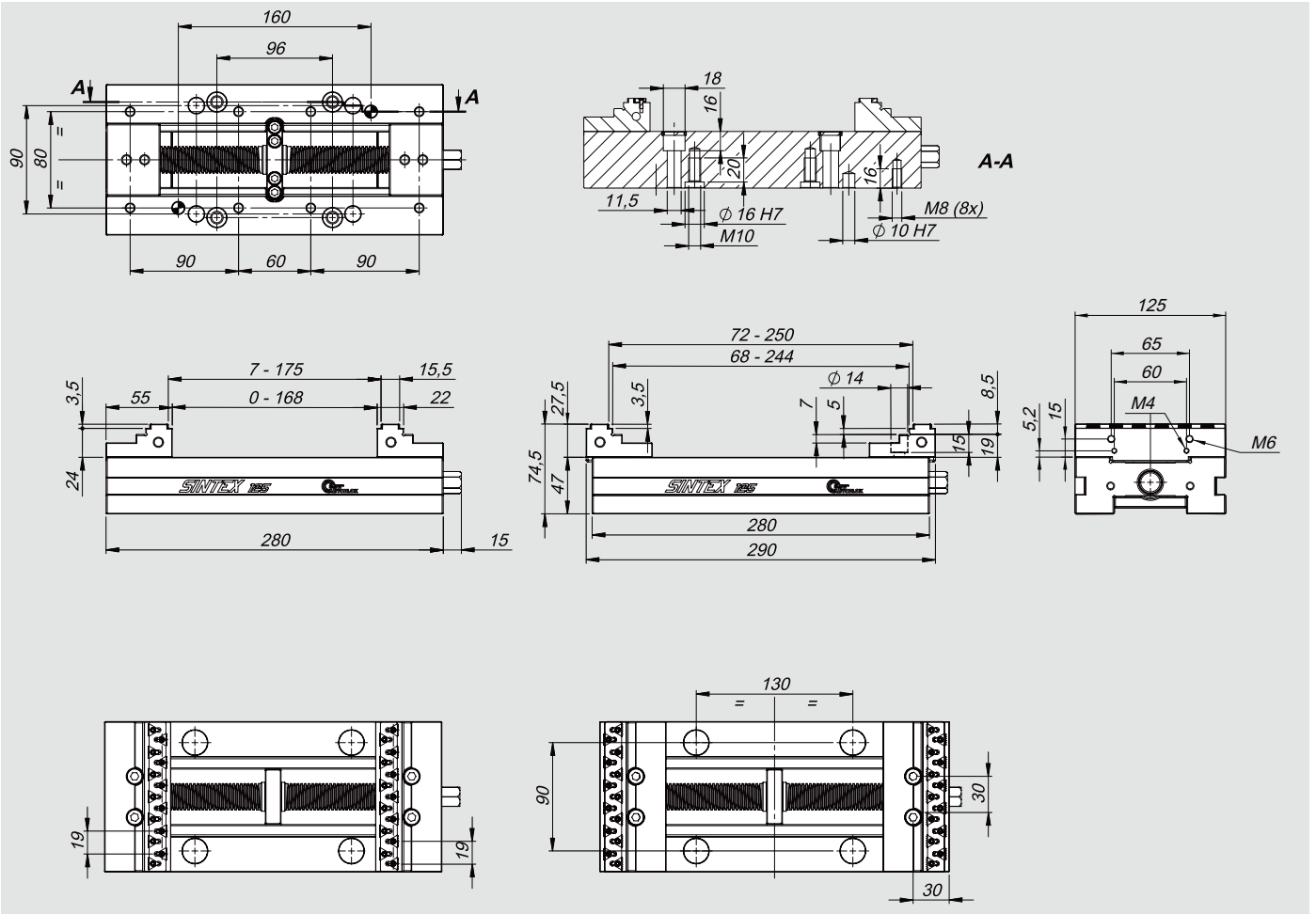
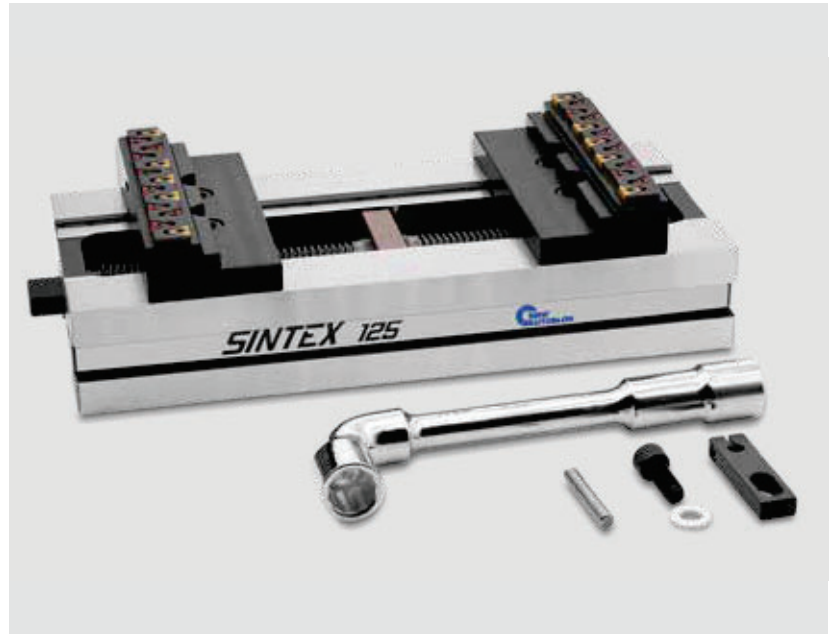


Id. No.	Type
77584911	SINTEX 100 STD
77584912	SINTEX 100 ALU
77584913	SINTEX 100 HRC

SINTEX 125

PREMIUM

Complete with 10 SinterGrip inserts, 10 protection inserts, wrench, workstop



Id. No.	Type
77584961	SINTEX 125 STD
77584962	SINTEX 125 ALU
77584963	SINTEX 125 HRC