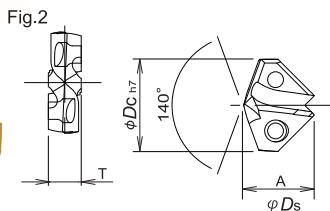
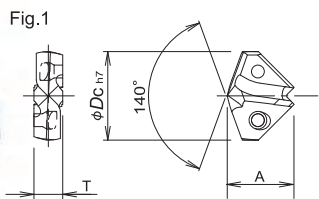


Line up



● MS Type (3D) / ML Type (5D)



● XL Type (8D)



Body

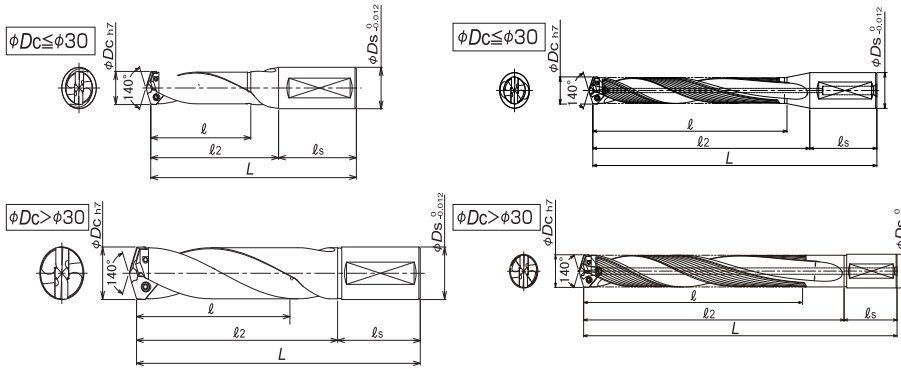
Insert

Applicable dia.	Tool No.	Stock	Dimensions (mm)						Drill dia. (mm)	PVD coated (Fig.1) JC8050	Stock	PVD coated (Fig.2) JC7515	Stock	Dimensions (mm)		Parts	
			L/D	ℓ	ℓ ₂	ℓ ₅	L	φDs						A	T	Clamp screw	Wash (not included)
13.5	TEZD1400S16-MS	●	3	51	65	48	113	16	13.5	TEZ1350	●	TEZ1350S	●	11.4	4.5	DSW-2045H	A-07
	TEZD1400S16-ML	●	5	80	97	48	145	16	13.6	TEZ1360	●	TEZ1360S	●				
14.5	TEZD1400S16-XL	●	8	119	133	48	181	16	13.7	TEZ1370	●	TEZ1370S	●	11.5	4.8	DSW-2045H	A-07
	TEZD1500S20-MS	●	3	54	69	50	119	20	13.8	TEZ1380	●	TEZ1380S	●				
14.5	TEZD1500S20-ML	●	5	85	103	50	153	20	13.9	TEZ1390	●	TEZ1390S	●	12.4	5.0	TSW-2556H	A-08
	TEZD1500S20-ML	●	8	128	143	50	193	20	14.0	TEZ1400	●	TEZ1400S	●				
15.5	TEZD1600S20-MS	●	3	58	74	50	124	20	14.1	TEZ1410	●	TEZ1410S	●	13.2	5.5	TSW-2556H	A-08
	TEZD1600S20-ML	●	5	91	110	50	160	20	14.2	TEZ1420	●	TEZ1420S	●				
16.5	TEZD1700S20-MS	●	3	61	78	50	128	20	14.3	TEZ1430	●	TEZ1430S	●	13.5	5.8	TSW-2556H	A-08
	TEZD1700S20-ML	●	5	96	117	50	167	20	14.4	TEZ1440	●	TEZ1440S	●				
17.5	TEZD1800S20-MS	●	3	65	83	50	133	20	14.5	TEZ1450	●	TEZ1450S	●	18.5	TEZ1850	●	●
	TEZD1800S20-ML	●	5	102	123	50	173	20	14.6	TEZ1460	●	TEZ1460S	●				
18.5	TEZD1800S20-ML	●	8	153	171	50	221	20	14.7	TEZ1470	●	TEZ1470S	●				
									14.8	TEZ1480	●	TEZ1480S	●				
									14.9	TEZ1490	●	TEZ1490S	●				
									15.0	TEZ1500	●	TEZ1500S	●				
									15.1	TEZ1510	●	TEZ1510S	●				
									15.2	TEZ1520	●	TEZ1520S	●				
									15.3	TEZ1530	●	TEZ1530S	●				
									15.4	TEZ1540	●	TEZ1540S	●				
									15.5	TEZ1550	●	TEZ1550S	●				
									15.6	TEZ1560	●	TEZ1560S	●				
									15.7	TEZ1570	●	TEZ1570S	●				
									15.8	TEZ1580	●	TEZ1580S	●				
									15.9	TEZ1590	●	TEZ1590S	●				
									16.0	TEZ1600	●	TEZ1600S	●				
									16.1	TEZ1610	●	TEZ1610S	●				
									16.2	TEZ1620	●	TEZ1620S	●				
									16.3	TEZ1630	●	TEZ1630S	●				
									16.4	TEZ1640	●	TEZ1640S	●				
									16.5	TEZ1650	●	TEZ1650S	●				
									16.6	TEZ1660	●	TEZ1660S	●				
									16.7	TEZ1670	●	TEZ1670S	●				
									16.8	TEZ1680	●	TEZ1680S	●				
									16.9	TEZ1690	●	TEZ1690S	●				
									17.0	TEZ1700	●	TEZ1700S	●				
									17.1	TEZ1710	●	TEZ1710S	●				
									17.2	TEZ1720	●	TEZ1720S	●				
									17.3	TEZ1730	●	TEZ1730S	●				
									17.4	TEZ1740	●	TEZ1740S	●				
									17.5	TEZ1750	●	TEZ1750S	●				
									17.6	TEZ1760	●	TEZ1760S	●				
									17.7	TEZ1770	●	TEZ1770S	●				
									17.8	TEZ1780	●	TEZ1780S	●				
									17.9	TEZ1790	●	TEZ1790S	●				
									18.0	TEZ1800	●	TEZ1800S	●				
									18.1	TEZ1810	●	TEZ1810S	●				
									18.2	TEZ1820	●	TEZ1820S	●				
									18.3	TEZ1830	●	TEZ1830S	●				
									18.4	TEZ1840	●	TEZ1840S	●				
									18.5	TEZ1850	●	TEZ1850S	●				

1 insert per case

● : Standard stock items ○ : Soon be stocked

● MS Type (3D) / ML Type (5D) ● XL Type (8D)



Clamp screw	Recommended torque (N·m)
DSW-2045H	0.9
TSW-2556H	1.2
TSW-2567H	1.2
DSW-307H	2.1
DSW-309H	2.1
TSW-3510H	3.0
TSW-3512H	3.0

▼Movie



■ Body

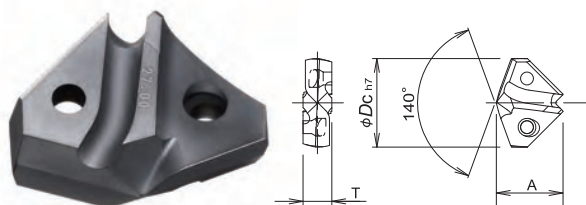
■ Insert

Applicable dia.	Tool No.	Stock	L/D	Dimensions (mm)				φDs	Drill dia. (mm)	PVD coated (Fig.1) JC8050		Stock	PVD coated (Fig.2) JC7515		Stock	Dimensions (mm)		Parts	
				ℓ	ℓ2	ℓs	L			Insert No.	Stock		Insert No.	Stock		A	T	Clamp screw	Bolt (not included)
18.5 Over	TEZD1900S25-MS	●	3	68	87	56	143	25	18.6	TEZ1860	●	TEZ1860S	●	14.2	6.0	TSW-2567H	A-08		
	TEZD1900S25-ML	●	5	107	130	56	186	25	18.7	TEZ1870	●	TEZ1870S	●						
19.5 Or under	TEZD1900S25-XL	●	8	162	181	56	237	25	18.8	TEZ1880	●	TEZ1880S	●	15.1	6.5	TSW-2567H	A-08		
	TEZD2000S25-MS	●	3	72	92	56	148	25	18.9	TEZ1890	●	TEZ1890S	●						
19.5 Over	TEZD2000S25-ML	●	5	113	137	56	193	25	19.0	TEZ1900	●	TEZ1900S	●	15.7	6.7	TSW-2567H	A-08		
	TEZD2000S25-XL	●	8	170	190	56	246	25	19.1	TEZ1910	●	TEZ1910S	●						
20.5 Or under	TEZD2100S25-MS	●	3	75	96	56	152	25	19.2	TEZ1920	●	TEZ1920S	●	16.6	7.5	DSW-307H	A-10		
	TEZD2100S25-ML	●	5	118	143	56	199	25	19.3	TEZ1930	●	TEZ1930S	●						
20.5 Over	TEZD2100S25-XL	●	8	179	200	56	256	25	19.4	TEZ1940	●	TEZ1940S	●	17.4	7.5	DSW-307H	A-10		
	TEZD2200S25-MS	●	3	79	101	56	157	25	19.5	TEZ1950	●	TEZ1950S	●						
21.5 Or under	TEZD2200S25-ML	●	5	124	150	56	206	25	19.6	TEZ1960	●	TEZ1960S	●	17.4	7.5	DSW-307H	A-10		
	TEZD2200S25-XL	●	8	187	209	56	265	25	19.7	TEZ1970	●	TEZ1970S	●						
21.5 Over	TEZD2300S25-MS	●	3	82	105	56	161	25	19.8	TEZ1980	●	TEZ1980S	●	17.4	7.5	DSW-307H	A-10		
	TEZD2300S25-ML	●	5	129	157	56	213	25	19.9	TEZ1990	●	TEZ1990S	●						
22.5 Or under	TEZD2300S25-XL	●	8	196	219	56	275	25	20.0	TEZ2000	●	TEZ2000S	●	17.4	7.5	DSW-307H	A-10		
	TEZD2300S25-MS	●	3	82	105	56	161	25	20.1	TEZ2010	●	—	—						
22.5 Over	TEZD2300S25-ML	●	5	129	157	56	213	25	20.2	TEZ2020	●	—	—	17.4	7.5	DSW-307H	A-10		
	TEZD2300S25-XL	●	8	196	219	56	275	25	20.3	TEZ2030	●	—	—						
23.5 Or under	TEZD2300S25-MS	●	3	82	105	56	161	25	20.4	TEZ2040	●	—	—	17.4	7.5	DSW-307H	A-10		
	TEZD2300S25-ML	●	5	129	157	56	213	25	20.5	TEZ2050	●	—	—						
23.5 Over	TEZD2300S25-XL	●	8	196	219	56	275	25	20.6	TEZ2060	●	—	—	17.4	7.5	DSW-307H	A-10		
	TEZD2300S25-MS	●	3	82	105	56	161	25	20.7	TEZ2070	●	—	—						
23.5 Or under	TEZD2300S25-ML	●	5	129	157	56	213	25	20.8	TEZ2080	●	—	—	17.4	7.5	DSW-307H	A-10		
	TEZD2300S25-XL	●	8	196	219	56	275	25	20.9	TEZ2090	●	—	—						
23.5 Over	TEZD2300S25-MS	●	3	82	105	56	161	25	21.0	TEZ2100	●	—	—	17.4	7.5	DSW-307H	A-10		
	TEZD2300S25-ML	●	5	129	157	56	213	25	21.1	TEZ2110	●	—	—						
23.5 Or under	TEZD2300S25-XL	●	8	196	219	56	275	25	21.2	TEZ2120	●	—	—	17.4	7.5	DSW-307H	A-10		
	TEZD2300S25-MS	●	3	82	105	56	161	25	21.3	TEZ2130	●	—	—						
23.5 Over	TEZD2300S25-ML	●	5	129	157	56	213	25	21.4	TEZ2140	●	—	—	17.4	7.5	DSW-307H	A-10		
	TEZD2300S25-XL	●	8	196	219	56	275	25	21.5	TEZ2150	●	—	—						
23.5 Or under	TEZD2300S25-MS	●	3	82	105	56	161	25	21.6	TEZ2160	●	—	—	17.4	7.5	DSW-307H	A-10		
	TEZD2300S25-ML	●	5	129	157	56	213	25	21.7	TEZ2170	●	—	—						
23.5 Over	TEZD2300S25-XL	●	8	196	219	56	275	25	21.8	TEZ2180	●	—	—	17.4	7.5	DSW-307H	A-10		
	TEZD2300S25-MS	●	3	82	105	56	161	25	21.9	TEZ2190	●	—	—						
23.5 Or under	TEZD2300S25-ML	●	5	129	157	56	213	25	22.0	TEZ2200	●	—	—	17.4	7.5	DSW-307H	A-10		
	TEZD2300S25-XL	●	8	196	219	56	275	25	22.1	TEZ2210	●	—	—						
23.5 Over	TEZD2300S25-MS	●	3	82	105	56	161	25	22.2	TEZ2220	●	—	—	17.4	7.5	DSW-307H	A-10		
	TEZD2300S25-ML	●	5	129	157	56	213	25	22.3	TEZ2230	●	—	—						
23.5 Or under	TEZD2300S25-XL	●	8	196	219	56	275	25	22.4	TEZ2240	●	—	—	17.4	7.5	DSW-307H	A-10		
	TEZD2300S25-MS	●	3	82	105	56	161	25	22.5	TEZ2250	●	—	—						
23.5 Over	TEZD2300S25-ML	●	5	129	157	56	213	25	22.6	TEZ2260	●	—	—	17.4	7.5	DSW-307H	A-10		
	TEZD2300S25-XL	●	8	196	219	56	275	25	22.7	TEZ2270	●	—	—						
23.5 Or under	TEZD2300S25-MS	●	3	82	105	56	161	25	22.8	TEZ2280	●	—	—	17.4	7.5	DSW-307H	A-10		
	TEZD2300S25-ML	●	5	129	157	56	213	25	22.9	TEZ2290	●	—	—						
23.5 Over	TEZD2300S25-XL	●	8	196	219	56	275	25	23.0	TEZ2300	●	—	—	17.4	7.5	DSW-307H	A-10		
	TEZD2300S25-MS	●	3	82	105	56	161	25	23.1	TEZ2310	●	—	—						
23.5 Or under	TEZD2300S25-ML	●	5	129	157	56	213	25	23.2	TEZ2320	●	—	—	17.4	7.5	DSW-307H	A-10		
	TEZD2300S25-XL	●	8	196	219	56	275	25	23.3	TEZ2330	●	—	—						
23.5 Over	TEZD2300S25-MS	●	3	82	105	56	161	25	23.4	TEZ2340	●	—	—	17.4	7.5	DSW-307H	A-10		
	TEZD2300S25-ML	●	5	129	157	56	213	25	23.5	TEZ2350	●	—	—						

1 insert per case

● : Standard stock items ◎ : Soon be stocked

Line up



● MS Type (3D) / ML Type (5D)



● XL Type (8D)



Body

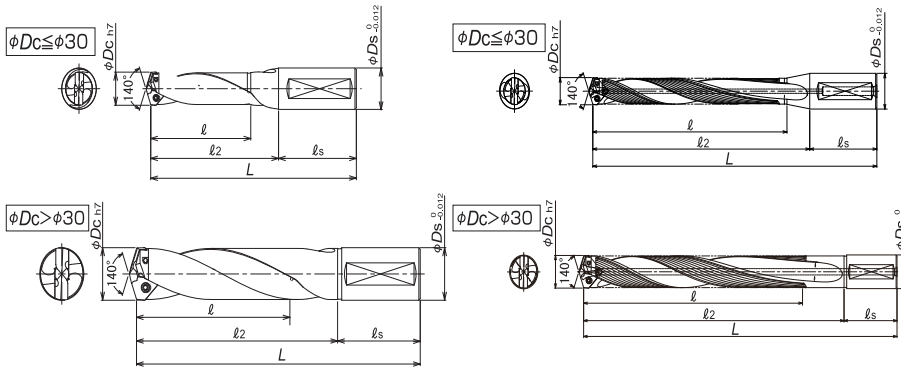
Insert

Applicable dia.	Tool No.	Stock	L/D	Dimensions (mm)					Drill dia. (mm)	PVD coated	Stock	Dimensions (mm)		Parts	
				l	l ₂	l _s	L	φDs				A	T	Clamp screw	Blanch (not included)
23.5 Over	TEZD2400S32-MS	●	3	86	110	60	170	32	23.6	TEZ2360	●	18.2	8.0	DSW-307H	A-10
	TEZD2400S32-ML	●	5	135	164	60	224	32	23.7	TEZ2370	●				
24.5 Or under	TEZD2400S32-XL	●	8	204	228	60	288	32	23.8	TEZ2380	●				
									23.9	TEZ2390	●				
									24.0	TEZ2400	●				
									24.1	TEZ2410	●				
									24.2	TEZ2420	●				
									24.3	TEZ2430	●				
									24.4	TEZ2440	●				
									24.5	TEZ2450	●				
24.5 Over	TEZD2500S32-MS	●	3	89	114	60	174	32	24.6	TEZ2460	●	19.1	8.0	DSW-309H	A-10
	TEZD2500S32-ML	●	5	140	170	60	230	32	24.7	TEZ2470	●				
25.5 Or under	TEZD2500S32-XL	●	8	213	238	60	298	32	24.8	TEZ2480	●				
									24.9	TEZ2490	●				
									25.0	TEZ2500	●				
									25.1	TEZ2510	●				
									25.2	TEZ2520	●				
									25.3	TEZ2530	●				
									25.4	TEZ2540	●				
									25.5	TEZ2550	●				
25.5 Over	TEZD2600S32-MS	●	3	93	119	60	179	32	25.6	TEZ2560	●	19.7	8.5	DSW-309H	A-10
	TEZD2600S32-ML	●	5	146	177	60	237	32	25.7	TEZ2570	●				
26.5 Or under	TEZD2600S32-XL	●	8	221	247	60	307	32	25.8	TEZ2580	●				
									25.9	TEZ2590	●				
									26.0	TEZ2600	●				
									26.1	TEZ2610	●				
									26.2	TEZ2620	●				
									26.3	TEZ2630	●				
									26.4	TEZ2640	●				
									26.5	TEZ2650	●				
26.5 Over	TEZD2700S32-MS	●	3	96	123	60	183	32	26.6	TEZ2660	●	20.4	8.5	TSW-3510H	A-15
	TEZD2700S32-ML	●	5	151	184	60	244	32	26.7	TEZ2670	●				
27.5 Or under	TEZD2700S32-XL	●	8	230	257	60	317	32	26.8	TEZ2680	●				
									26.9	TEZ2690	●				
									27.0	TEZ2700	●				
									27.1	TEZ2710	●				
									27.2	TEZ2720	●				
									27.3	TEZ2730	●				
									27.4	TEZ2740	●				
									27.5	TEZ2750	●				
27.5 Over	TEZD2800S32-MS	●	3	100	128	60	188	32	27.6	TEZ2760	●	21.2	9.0	TSW-3510H	A-15
	TEZD2800S32-ML	●	5	157	190	60	250	32	27.7	TEZ2770	●				
28.5 Or under	TEZD2800S32-XL	●	8	238	266	60	326	32	27.8	TEZ2780	●				
									27.9	TEZ2790	●				
									28.0	TEZ2800	●				
									28.1	TEZ2810	●				
									28.2	TEZ2820	●				
									28.3	TEZ2830	●				
									28.4	TEZ2840	●				
									28.5	TEZ2850	●				

1 insert per case

● : Standard stock items

● MS Type (3D) / ML Type (5D) ● XL Type (8D)



Clamp screw	Recommended torque (N·m)
DSW-2045H	0.9
TSW-2556H	1.2
TSW-2567H	1.2
DSW-307H	2.1
DSW-309H	2.1
TSW-3510H	3.0
TSW-3512H	3.0

▼Movie



■Body

■Insert

Applicable dia.	Tool No.	Stock	L/D	Dimensions (mm)					Drill dia. (mm)	PVD coated JC8050	Stock	Dimensions (mm)		Parts	
				ℓ	ℓ ₂	ℓ _s	L	φDs				A	T	Clamp screw	Insert (refer table)
28.5 Over	TEZD2900S32-MS	●	3	103	132	60	192	32	28.6 TEZ2860	●	22.1	9.0	TSW-3510H	A-15	
	TEZD2900S32-ML	●	5	162	197	60	257	32	28.7 TEZ2870	●					
29.5 Or under	TEZD2900S32-XL	●	8	247	276	60	336	32	28.8 TEZ2880	●	22.5	9.5	TSW-3510H	A-15	
									28.9 TEZ2890	●					
29.5 Over	TEZD3000S32-MS	●	3	107	137	60	197	32	29.0 TEZ2900	●	23.4	10.0	TSW-3512H	A-15	
	TEZD3000S32-ML	●	5	168	204	60	264	32	29.1 TEZ2910	●					
30.5 Or under	TEZD3000S32-XL	●	8	255	285	60	345	32	29.2 TEZ2920	●	24.3	10.0	TSW-3512H	A-15	
									29.3 TEZ2930	●					
30.5 Over	TEZD3100S32-MS	●	3	110	141	60	201	32	29.4 TEZ2940	●	22.1	9.0	TSW-3510H	A-15	
	TEZD3100S32-ML	●	5	173	210	60	270	32	29.5 TEZ2950	●					
31.5 Or under	TEZD3100S32-XL	●	8	248	295	60	355	32	29.6 TEZ2960	●	22.5	9.5	TSW-3510H	A-15	
									29.7 TEZ2970	●					
31.5 Over	TEZD3200S32-MS	●	3	114	146	60	206	32	29.8 TEZ2980	●	23.4	10.0	TSW-3512H	A-15	
	TEZD3200S32-ML	●	5	179	217	60	277	32	29.9 TEZ2990	●					
32.5 Or under	TEZD3200S32-XL	●	8	256	304	60	364	32	30.0 TEZ3000	●	24.3	10.0	TSW-3512H	A-15	
									30.1 TEZ3010	●					
									30.2 TEZ3020	●					
									30.3 TEZ3030	●					
									30.4 TEZ3040	●					
									30.5 TEZ3050	●					
									30.6 TEZ3060	●					
									30.7 TEZ3070	●					
									30.8 TEZ3080	●					
									30.9 TEZ3090	●					
									31.0 TEZ3100	●					
									31.1 TEZ3110	●					
									31.2 TEZ3120	●					
									31.3 TEZ3130	●					
									31.4 TEZ3140	●					
									31.5 TEZ3150	●					
									31.6 TEZ3160	●					
									31.7 TEZ3170	●					
									31.8 TEZ3180	●					
									31.9 TEZ3190	●					
									32.0 TEZ3200	●					
									32.1 TEZ3210	●					
									32.2 TEZ3220	●					
									32.3 TEZ3230	●					
									32.4 TEZ3240	●					
									32.5 TEZ3250	●					

1 insert per case

● : Standard stock items