

COMOT

COLLET CHUCK

HYBRID-COLLET CHUCK

UNIVERSAL

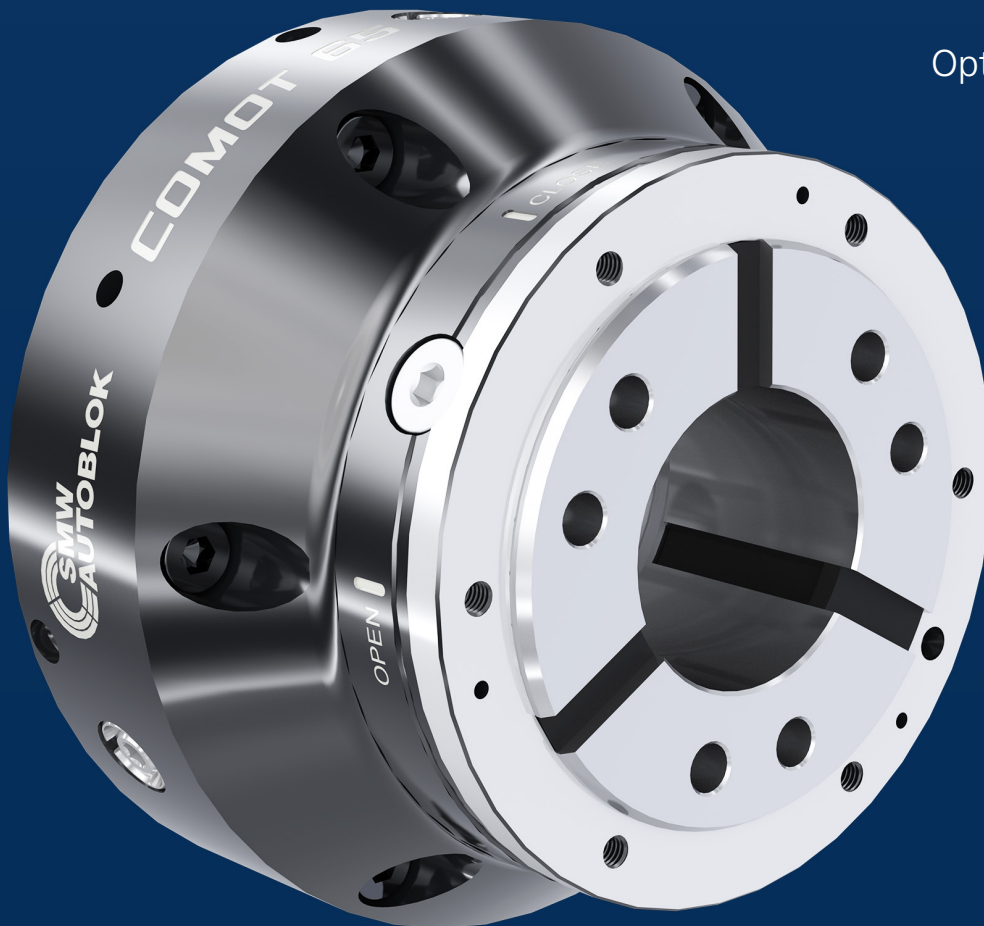
Use of standard collets

FLEXIBLE

Optional Premium Adapter
for workpieces specific
high precision collets +
Optional expanding mandrel

PRECISE

Air sensing
Radial fine adjustment



COMOT-AZ

INCH
SERRATION

Collet chuck

- Use of standard collets
- Air sensing
- Radial fine adjustment



Application/customer benefits

- Large selection of standard collets
- Low deformation clamping of thin walled workpieces
- Rigid axial stop, central or front stop
- Long lifetime due to case hardened parts and manual lubrication
- Use of high-precision collets when using premium adapter PA
- Use of expanding mandrels of the „Connect“ series

Technical features

- Air sensing (central or front)
- Radial fine adjustment

Standard equipment

Collet chuck
with bolts
with basic workstop (central M12)
with protection sleeve (with fall through-hole)

Ordering example

COMOT-AZ-65-Z170

Application Examples

Collet chuck COMOT-AZ with standard collet



Clamping with standard collet



Collet chuck COMOT-AZ with premium adapter PA



Clamping with slotted high-precision collet



Collet chuck COMOT-AZ with extension mandrel EMX-F-CO „Connect“



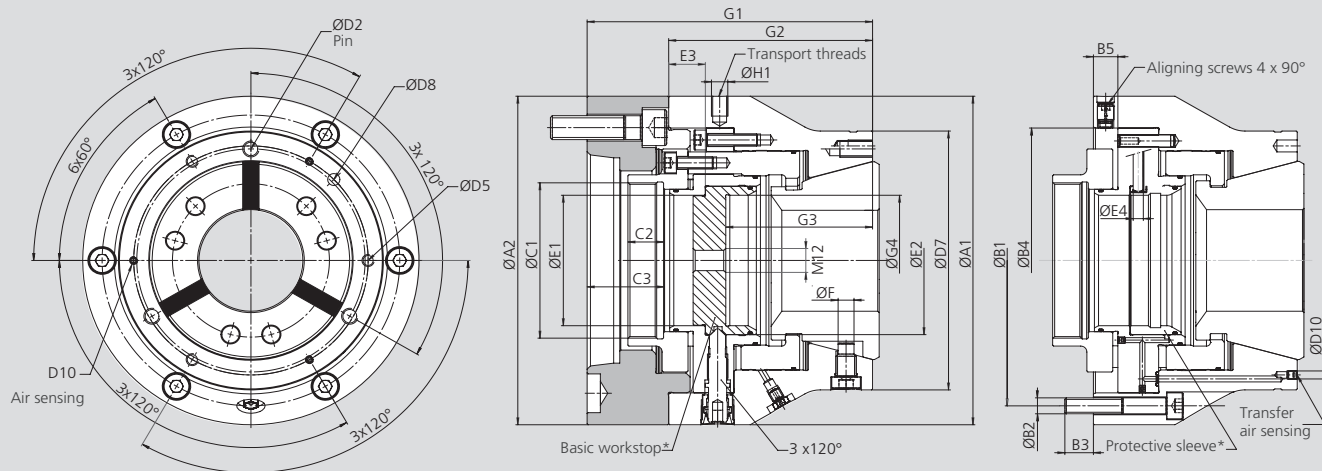
Clamping with extension mandrel „Connect“



Collet chuck

COMOT-AZ

- Use of standard collets
- Air sensing
- Radial fine adjustment



* Use only with protective sleeve or workpiece stop

SMW-AUTOBLOK Type		COMOT-AZ-42				COMOT-AZ-65						COMOT-AZ-100				
Spindle size		A05	A06	Z140	Z170	A05	A06	A08	Z140	Z170	Z220	A06	A08	A11	Z170	Z220
A1	mm	144				165						230				
A2	mm	144	165	150	180	165	165	210	165	180	230	230	230	280	230	235
B1	mm	126				146						208				
B2	6 x 60°	6 x M8				6 x M8						6 x M10				
B3	mm	12				14						19.5				
B4	0.01	110				133						185				
B5	mm	12				12						12				
C1		M54 x 1.5				M78 x 1.5						M115 x 2				
C2	mm	17				17.5						24				
C3	In open position (right end position)	38	38	24	24	40	40	40	26	26	26	55	50	52	55	41
D2	Thread / depth / Pitch circle	3 x M8 / 16 / 93				M8 / 16 / 112						M8 / 18 / 162				
D5	Thread / depth / Pitch circle	3 x M6 / 12 / 95				M6 / 12 / 115						M8 / 18 / 162				
D7	-0,02 / -0,05	110				130						180				
D8	Diameter / depth / pitch circle	Ø 6 / 10 / 95				Ø 6 / 10 / 115						Ø 6 / 10 / 162				
D10	Thread / pitch circle	M4 / 95				M4 / 115						M4 / 165				
E1	mm	43				65.5						101				
E2	H7	49.5				74.5						111.5				
E3	mm	17				18						18				
E4	Orientation for workstop	5				5						5				
F	mm	5.8				7.8						7.8				
G1	mm	126	126	112	112	140	140	140	126	126	126	174	169	171	174	160
G2	mm	88				100						115				
G3		61				72						102				
G4		43				65.5						90				
H1	3 x 120°	M8				M8						M10				

SMW-AUTOBLOK Type	COMOT-AZ-42				COMOT-AZ-65						COMOT-AZ-100					
Axial stroke	5.5				5.5						8					
Expansion in Ø	2.9				2.9						4.2					
Max. Actuating force in kN	35				45						65					
Max. Clamping force radial in kN	80				105						150					
Max. Speed rpm	7000	7000	7000	7000	6000	6000	6000	6000	6000	6000	6000	5000	5000	5000	5000	5000

Draw collet chuck

Collets for COMOT-AZ 42

Steel collets with axial and radial grooves (△ smooth, △△ radial grooves)

ROUND*

∅	4 [△]	5 [△]	6 [△]	7 [△]	8 ^{△△}	9 ^{△△}	10 ^{△△}	11	12	13	14	15	16
Id. No.	192173	192174	192175	192176	192177	192178	192179	192180	192181	192182	192183	192184	192185
∅	17	18	19	20	21	22	23	24	25	26	27	28	29
Id. No.	192186	192187	192188	192189	192190	192191	192192	192193	192194	192195	192196	192197	192198
∅	30	31	32	33	34	35	36	37	38	39	40	41	42
Id. No.	192199	192200	192201	192202	192203	192204	192205	192206	192207	192208	192209	192210	192211

Collets in 0.5 mm increments on request.

Steel collets with smooth clamping surface

ROUND*

∅	4	5	6	7	8	9	10	11	12	13	14	15	16
Id. No.	193173	193174	193175	193176	193135	193136	193137	193138	193139	193140	193141	193142	193143
∅	17	18	19	20	21	22	23	24	25	26	27	28	29
Id. No.	193144	192807	193145	192808	193146	193147	193148	193149	193150	193151	193152	193153	193154
∅	30	31	32	33	34	35	36	37	38	39	40	41	42
Id. No.	193155	193156	193083	193157	193158	193159	193160	193161	193162	193163	193164	193165	193219

Collets in 0.5 mm increments on request.

SQUARE**

□	7 [△]	8 ^{△△}	9 ^{△△}	10 ^{△△}	11 ^{△△}	12 ^{△△}	13 ^{△△}	14 ^{△△}	15 ^{△△}	16 ^{△△}	17 ^{△△}	18 ^{△△}	19 ^{△△}
Id. No.	192212	192213	192214	192215	192216	192217	192218	192219	192220	192221	192222	192223	192224
□	20 ^{△△}	21 ^{△△}	22 ^{△△}	23 ^{△△}	24 ^{△△}	25 ^{△△}	26 ^{△△}	27 ^{△△}	28 ^{△△}	29 ^{△△}	30 ^{△△}		
Id. No.	192225	192226	192227	192228	192229	192230	192231	192232	192233	192234	192235		

HEXAGONAL**

⬡	7 [△]	8 ^{△△}	9 ^{△△}	10 ^{△△}	11 ^{△△}	12 ^{△△}	13 ^{△△}	14 ^{△△}	15 ^{△△}	16 ^{△△}	17 ^{△△}	18 ^{△△}	19 ^{△△}
Id. No.	192236	192237	192238	192239	192240	192241	192242	192243	192244	192245	192246	192247	192248
⬡	20 ^{△△}	21 ^{△△}	22 ^{△△}	23 ^{△△}	24 ^{△△}	25 ^{△△}	26 ^{△△}	27 ^{△△}	28 ^{△△}	29 ^{△△}	30 ^{△△}	31 ^{△△}	32 ^{△△}
Id. No.	192249	192250	192251	192252	192253	192254	192255	192256	192257	192258	192259	192260	192261

Soft steel collets (pre-bored)

ROUND

∅	5	15	30										
Id. No.	192262	192263	192264										

Boring ring 42 for soft steel collets

Id. No.	193399												
---------	--------	--	--	--	--	--	--	--	--	--	--	--	--

* Concentricity similar DIN 6343.

** Concentricity has to be agreed.

Changing unit

		Size	COMOT-AZ 42
	Accessories		
	Manual		196842
	Pneumatic		192151

Collets for COMOT-AZ 65

Steel collets with axial and radial grooves (Δ smooth, $\Delta\Delta$ radial grooves)

ROUND*

\emptyset	5 Δ	6 Δ	7 Δ	8 $\Delta\Delta$	9 $\Delta\Delta$	10 $\Delta\Delta$	11	12	13	14	15	16	17
Id. No.	192265	192266	192267	192268	192269	192270	192271	192272	192273	192274	192275	192276	192277
\emptyset	18	19	20	21	22	23	24	25	26	27	28	29	30
Id. No.	192278	192279	192280	192281	192282	192283	192284	192285	192286	192287	192288	192289	192290
\emptyset	31	32	33	34	35	36	37	38	39	40	41	42	43
Id. No.	192291	192292	192293	192294	192295	192296	192297	192298	192299	192300	192301	192302	192303
\emptyset	44	45	46	47	48	49	50	51	52	53	54	55	56
Id. No.	192304	192305	192306	192307	192308	192309	192310	192311	192312	192313	192314	192315	192316
\emptyset	57	58	59	60	61	62	63	64	65				
Id. No.	192317	192318	192319	192320	192321	192322	192323	192324	192325				

Collets in 0.5 mm increments on request.

Steel collets with smooth clamping surface

ROUND*

\emptyset	5	6	7	8	9	10	11	12	13	14	15	16	17
Id. No.	192265	192266	192267	193172	193173	192682	193174	192787	193175	193176	193177	193169	193178
\emptyset	18	19	20	21	22	23	24	25	26	27	28	29	30
Id. No.	193179	193180	193181	193182	192683	193183	193170	193065	193184	193066	193068	193069	193070
\emptyset	31	32	33	34	35	36	37	38	39	40	41	42	43
Id. No.	193185	192684	193186	193187	193188	193189	193190	193191	193192	192685	193193	193194	193171
\emptyset	44	45	46	47	48	49	50	51	52	53	54	55	56
Id. No.	193196	193197	193198	193199	193200	193201	193202	193203	193204	193205	193206	193207	193208
\emptyset	57	58	59	60	61	62	63	64	65				
Id. No.	193195	193209	193210	193211	193212	193213	193214	193215	193216				

Collets in 0.5 mm increments on request.

SQUARE**

\square	8 $\Delta\Delta$	9 $\Delta\Delta$	10 $\Delta\Delta$	11 $\Delta\Delta$	12 $\Delta\Delta$	13 $\Delta\Delta$	14 $\Delta\Delta$	15 $\Delta\Delta$	16 $\Delta\Delta$	17 $\Delta\Delta$	18 $\Delta\Delta$	19 $\Delta\Delta$	20 $\Delta\Delta$
Id. No.	192326	192327	192328	192329	192330	192331	192332	192333	192334	192335	192336	192337	192338
\square	21 $\Delta\Delta$	22 $\Delta\Delta$	23 $\Delta\Delta$	24 $\Delta\Delta$	25 $\Delta\Delta$	26 $\Delta\Delta$	27 $\Delta\Delta$	28 $\Delta\Delta$	29 $\Delta\Delta$	30 $\Delta\Delta$	31 $\Delta\Delta$	32 $\Delta\Delta$	33 $\Delta\Delta$
Id. No.	192339	192340	192341	192342	192343	192344	192345	192346	192347	192348	192349	192350	192351
\square	34 $\Delta\Delta$	35 $\Delta\Delta$	36 $\Delta\Delta$	37 $\Delta\Delta$	38 $\Delta\Delta$	39 $\Delta\Delta$	40 $\Delta\Delta$	41 $\Delta\Delta$	42 $\Delta\Delta$	43 $\Delta\Delta$	44 $\Delta\Delta$	45 $\Delta\Delta$	46 $\Delta\Delta$
Id. No.	192352	192353	192354	192355	192356	192357	192358	192359	192360	192361	192362	192363	192364

HEXAGONAL**

\hexagon	10 $\Delta\Delta$	11 $\Delta\Delta$	12 $\Delta\Delta$	13 $\Delta\Delta$	14 $\Delta\Delta$	15 $\Delta\Delta$	16 $\Delta\Delta$	17 $\Delta\Delta$	18 $\Delta\Delta$	19 $\Delta\Delta$	20 $\Delta\Delta$	21 $\Delta\Delta$	22 $\Delta\Delta$
Id. No.	192365	192366	192367	192368	192369	192370	192371	192372	192373	192374	192375	192376	192377
\hexagon	23 $\Delta\Delta$	24 $\Delta\Delta$	25 $\Delta\Delta$	26 $\Delta\Delta$	27 $\Delta\Delta$	28 $\Delta\Delta$	29 $\Delta\Delta$	30 $\Delta\Delta$	31 $\Delta\Delta$	32 $\Delta\Delta$	33 $\Delta\Delta$	34 $\Delta\Delta$	35 $\Delta\Delta$
Id. No.	192378	192379	192380	192381	192382	192383	192384	192385	192386	192387	192388	192389	192390
\hexagon	36 $\Delta\Delta$	37 $\Delta\Delta$	38 $\Delta\Delta$	39 $\Delta\Delta$	40 $\Delta\Delta$	41 $\Delta\Delta$	42 $\Delta\Delta$	43 $\Delta\Delta$	44 $\Delta\Delta$	45 $\Delta\Delta$	46 $\Delta\Delta$	47 $\Delta\Delta$	48 $\Delta\Delta$
Id. No.	192391	192392	192393	192394	192395	192396	192397	192398	192399	192400	192401	192402	192403
\hexagon	49 $\Delta\Delta$	50 $\Delta\Delta$											
Id. No.	192404	192405											

Soft steel collets (pre-bored)

ROUND

\emptyset	8	20	40										
Id. No.	192406	192407	192408										

Boring ring 65 for soft steel collets

Id. No.	193400												
---------	--------	--	--	--	--	--	--	--	--	--	--	--	--

* Concentricity similar DIN 6343.

** Concentricity has to be agreed.

Changing unit

	Accessories	Size	COMOT-AZ 65
	Manual		196844
	Pneumatic		192153

Collets for COMOT-AZ 100

Steel collets with axial and radial grooves ROUND*

∅	42	43	44	45	46	47	48	49	50	51	52	53	54
Id. No.	195081	195082	195083	195084	195085	195086	195087	195088	195089	195090	195091	195092	195093
∅	55	56	57	58	59	60	61	62	63	64	65	66	67
Id. No.	195094	195095	195096	195097	195098	195099	195100	195101	195102	195103	195104	195105	195106
∅	68	69	70	71	72	73	74	75	76	77	78	79	80
Id. No.	195107	195108	195109	195110	195111	195112	195113	195114	195115	195116	195117	195118	195119
∅	81	82	83	84	85	86	87	88	89	90	91	92	93
Id. No.	195120	195121	195122	195123	195124	195125	195126	195127	195128	195129	195130	195131	195132
∅	94	95	96	97	98	99	100						
Id. No.	195133	195134	195135	195136	195137	195138	194742						

Steel collets with smooth clamping surface ROUND*

∅	42	43	44	45	46	47	48	49	50	51	52	53	54
Id. No.	195141	195142	195143	195144	195145	195146	195147	195148	195149	195150	195151	195152	195153
∅	55	56	57	58	59	60	61	62	63	64	65	66	67
Id. No.	195154	195155	195156	195157	195158	195159	195160	195161	195162	195163	195164	195165	195166
∅	68	69	70	71	72	73	74	75	76	77	78	79	80
Id. No.	195167	195168	195169	195170	195171	195172	195173	195174	195175	195176	195177	195178	195179
∅	81	82	83	84	85	86	87	88	89	90	91	92	93
Id. No.	195180	195181	195182	195183	195184	195185	195186	195187	195188	194743	195189	195190	195191
∅	94	95	96	97	98	99	100						
Id. No.	195192	195193	195194	195195	195196	195197	195198						

* Concentricity similar DIN 6343.

Changing unit

	Size	COMOT-AZ 100
	Accessories Pneumatic	194744

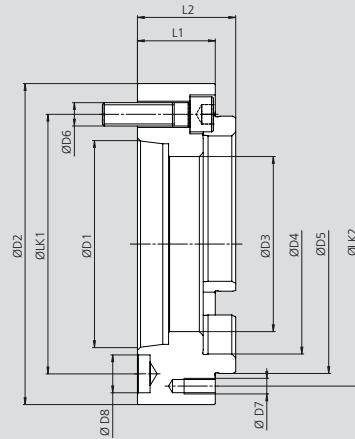
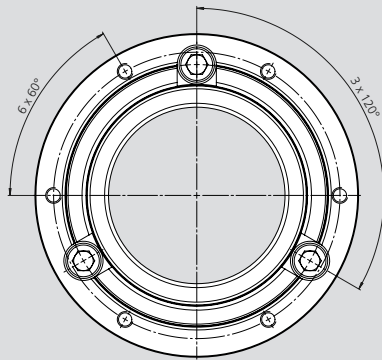
Adapters

■ COMOT have cylindrical mounting

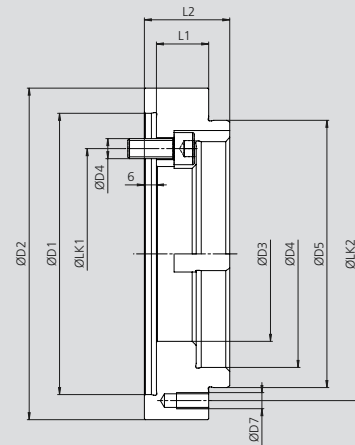
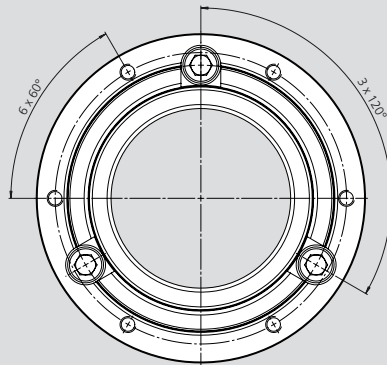
■ Adapters for DIN 55026 / ISO-A 702-1 / ISO-A 702-1 spindle noses

ISO-A for expanding mandrels

A



ZA



Subject to technical changes.

For more detailed information please ask our customer service.

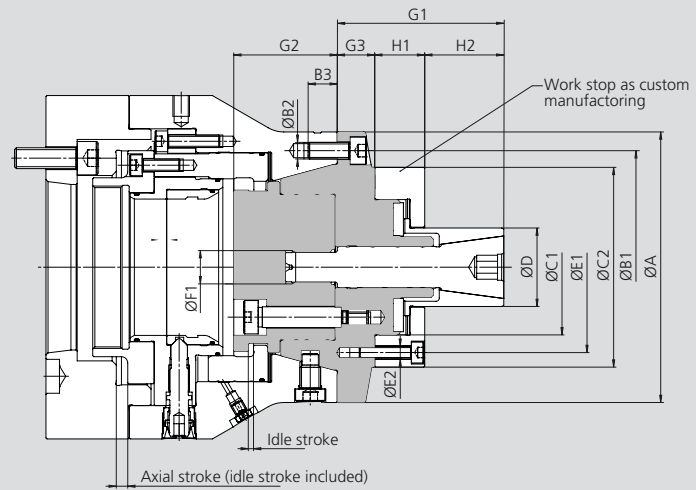
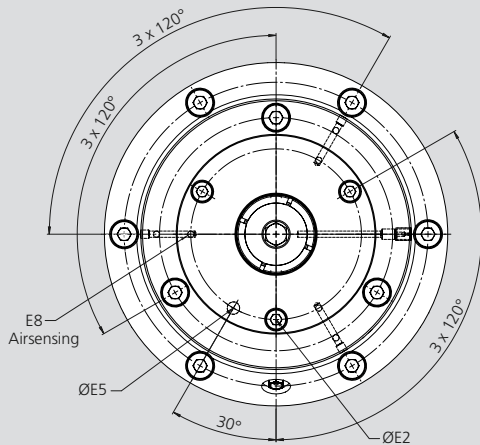
Technical data

Id. No.	SMW-AUTOBLOK Type	Spindle head ISO 702-1 (A)	Spindle head ISO 702-4 (ZA)	D1	D2	D3	D4	D5	LK1	D6	LK2	D7	D8	L1	L2	
9700220005	COMOT 42	mm	A5	-	82.563	144	65	90	110	104.8	3 x M10	126	6 x M8	16.3	38	48.5
9700220006		mm	A6	-	106.375	165	65	90	110	133.4	3 x M12	126	6 x M8	19.45	38	48.5
9700220140		mm	-	140	140	150	65	90	110	104.8	3 x M10	126	6 x M8	-	24	40.5
9700220170		mm	-	170	170	180	65	90	110	133.4	3 x M12	126	6 x M8	-	24	40.5
9700420005	COMOT 65	mm	A5	-	82.563	165	90	113	133	104.8	3 x M10	146	6 x M8	16.3	40	50.5
9700420006		mm	A6	-	106.375	165	90	113	133	133.4	3 x M12	146	6 x M8	19.45	40	50.5
9700420008		mm	A8	-	139.719	210	90	113	133	171.4	3 x M16	146	6 x M8	24.2	40	50.5
9700420140		mm	-	140	140	165	87	113	133	104.8	3 x M10	146	6 x M8	-	26	42.5
9700420170		mm	-	170	170	180	90	113	133	133.4	3 x M12	146	6 x M8	-	26	42.5
9700420220		mm	-	220	220	230	90	113	133	171.4	3 x M16	146	6 x M8	-	26	42.5
9700620006	COMOT 100	mm	A6	-	106.375	230	130 / 103	163	185	133.4	3 x M12	208	6 x M10	19.45	59	70
9700620008		mm	A8	-	139.719	230	130	163	185	171.4	3 x M16	208	6 x M10	24.2	54	65
9700620011		mm	A11	-	196.869	280	130	163	185	235	3 x M20	208	6 x M10	29.4	56	67
9700620170		mm	-	Z170	170	230	130	163	185	133.4	3 x M12	208	6 x M10	-	59	76
9700620220		mm	-	Z220	220	235	130	163	185	171.4	3 x M16	208	6 x M10	-	45	62

Ordering review (chuck with flange)

SMW-AUTOBLOK Type	COMOT-AZ-42	COMOT-AZ-65	COMOT-AZ-100
Id No. Chuck without flange	9700210000	9700410000	9700610000
A05	9700200005	9700400005	-
A06	9700200006	9700400006	9700600006
A08	-	9700400008	9700600008
A11	-	-	9700600011
Z140	9700200140	9700400140	-
Z170	9700200170	9700400170	9700600170
Z220	-	9700400220	9700600220

Extension sleeve mandrels EMX-F-CO for COMOT-AZ



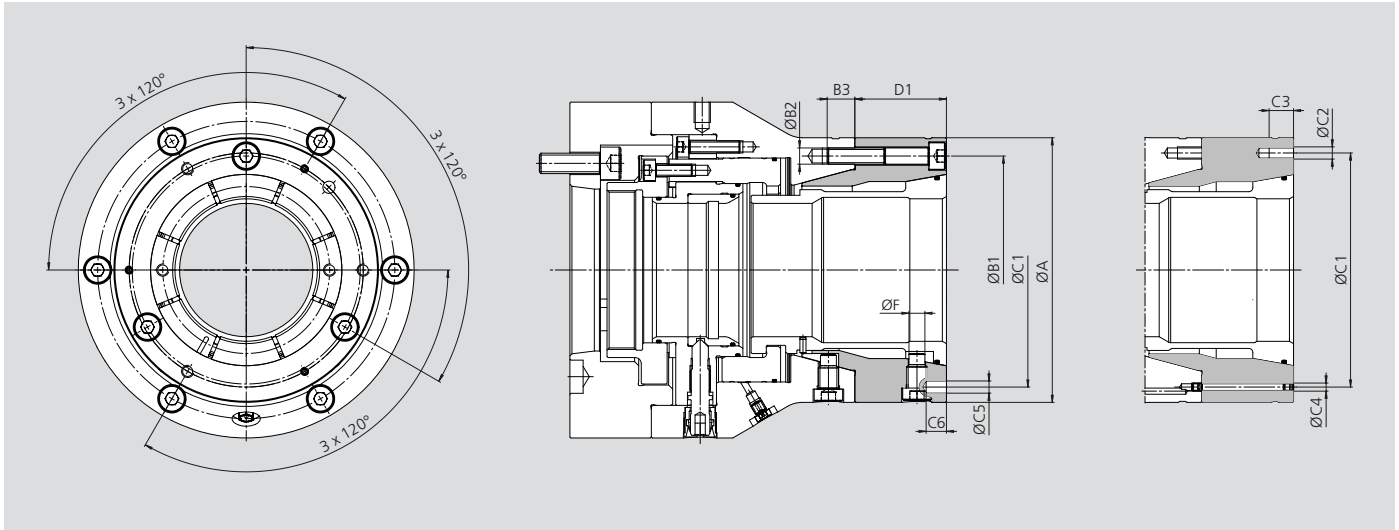
SMW-AUTOBLOK Chuck type	COMOT-AZ-42			COMOT-AZ-65			COMOT-AZ-100					
SMW-AUTOBLOK Mandrel type	EMX-F-1- CO-42	EMX-F-2- CO-42	EMX-F-3- CO-42	EMX-F-1- CO-65	EMX-F-2- CO-65	EMX-F-3- CO-65	EMX-F1- CO-100	EMX-F2- CO-100	EMX-F3- CO-100	EMX-F4- CO-100	EMX-F5- CO-100	
Id. No.	9700251100	9700251200	9700251300	9700451100	9700451200	9700451300	9700651100	9700651200	9700651300	9700651400	9700651500	
A	110			130			180					
B1	93			112			162					
B2	3 x M8			3 x M8			3 x M8	3 x M8	6 x M8	6 x M8	6 x M8	
B3	12,6	12,6	14	12,6	12,6	12,6	12	12	12	12,6	12,6	
C1	42	52	65	42	52	65	42	52	65	88	112	
C2	110			130			130	130	130	180	180	
D	19.7 - 30.3	27.7 - 40.3	34.7 - 55.5	19.7 - 30.3	27.7 - 40.3	34.7 - 55.5	19.7 - 30.3	27.7 - 40.3	34.7 - 55.5	49.7 - 75.5	69.7 - 95.9	
E1	65 / 93	75	90	65 / 112	75 / 112	90 / 112	65 / 112	75 / 112	90 / 112	112 / 162	162	
E2	3 x 120° / depth / pitch circle E1	M6 / 12			M6 / 12			M6 / 12	M6 / 12	M6 / 12	M8 / 16	M8 / 16
E4	65	75	90	65	75	90	65	75	90	112	135	
E5	H7 / depth / pitch circle E4	Ø 6 / 12			Ø 6 / 12			Ø 6 / 12				
E7	65	75	90	65	75	90	65	75	90	112	135	
E8	3 x 120° pitch circle E7	Ø3			Ø3			Ø3				
F1	M10 x 1	M14 x 1.5	M16 x 1.5	M10 x 1	M14 x 1.5	M16 x 1.5	M10 x 1	M14 x 1.5	M16 x 1.5	M16 x 1.5	M20 x 1.5	
G1	61	68	76	61	68	76	65	72	80	93	115	
G2	Unclamped position	39	39.6	39	50	50.4	49.8	57	57.6	57	55	
G3		16		16			20	20	20	16	16	
H1 min.	18	18	22	18	18	22	18	18	22	25	30	
H2 max.	27	34	38	27	34	38	27	34	38	52	69	

SMW-AUTOBLOK Chuck type	COMOT-AZ-42			COMOT-AZ-65			COMOT-AZ-100				
Axial stroke chuck	5.5			5.5			8				
Idle stroke	2.5	2.7	2.5	2.5	2.7	2.5	5	5.6	5	5	3
Axial stroke mandrel	3	2.4	3	3	2.4	3	3	2.4	3	3	5
Expansion in Ø	0.6	0.6	0.8	0.6	0.6	0.8	0.6	0.6	0.8	0.8	1.2
Max. Actuating force in kN	12	20	25	12	20	25	12	20	25	25	30
Max. Clamping force radial in kN	61	90	113	61	90	113	61	90	113	113	159
Max. Speed r.p.m.	5000	5000	5000	4000	4000	4000	3500	3500	3500	3500	3500

Note: Taper, Sleeve, disc please refer to expanding mandrel EMX-F

■ Ordering review

Premium adapter PA COMOT



SMW-AUTOBLOK Type			COMOT-AZ-65	COMOT-AZ-100
Id. No.			9700430000	9700630000
A	-0,02 / -0,05	mm	130	180
B1		mm	112	162
B2	3 x 120°		3 x M8	6 x M8
B3		mm	13.6	13.6
C1		mm	115	162
C2	3 x 120°		3 x M6	6 x M6
C3		mm	12	12
C4	3 x 120°		3 x M4	3 x M4
C5	H7	mm	6	6
C6		mm	10	10
D1		mm	45	55
F		mm	7.8	7.8

Notes

A series of horizontal stripes in two shades of blue, alternating between a darker blue and a lighter blue. The stripes are uniform in width and extend across the entire width of the page, providing a template for writing notes.

Notes

A series of horizontal stripes in two shades of blue, alternating between a medium blue and a light blue. The stripes are uniform in width and extend across the entire width of the page, providing a template for writing notes.

**Germany**

SMW-AUTOBLOK Spannsysteme GmbH
Postfach 1151 • D-88070 Meckenbeuren
Wiesentalstraße 28 • D-88074 Meckenbeuren
Tel.: +49 (0) 7542 - 405 - 0
Vertrieb Inland ▶ vertrieb@smw-autoblok.de
Fax: +49 (0) 7542 - 3886
Sales International ▶ sales@smw-autoblok.de
Fax: +49 (0) 7542 - 405 - 181

**Italy**

AUTOBLOK s.p.a.
Via Duca D'Aosta n.24
Fraz. Novaretto
I-10040 Caprie - Torino
Tel. +39 011 - 9638411
Tel. +39 011 - 9632020
Fax +39 011 - 9632288
E-mail ▶ info@smwautoblok.it

**U.S.A.**

SMW-AUTOBLOK Corporation
285 Egidi Drive - Wheeling, IL 60090
Tel. +1 847 - 215 - 0591
Fax +1 847 - 215 - 0594
E-mail ▶ autoblok@smwautoblok.com

**France**

SMW-AUTOBLOK
17, Avenue des Frères Montgolfier - Z.I. Mi-Plaine
F-69680 Chassieu
Tel. +33 (0) 4 - 727 - 918 18
Fax +33 (0) 4 - 727 - 918 19
E-mail ▶ autoblok@smwautoblok.fr

**Japan**

SMW-AUTOBLOK Japan Inc.
1-56 Hira, Nishi-Ku
461-Nagoya
Tel. +81 (0) 52 - 504 - 0203
Fax +81 (0) 52 - 504 - 0205
E-mail ▶ japan@smwautoblok.co.jp

**Great Britain**

SMW-Autoblok Telbrook Ltd.
7 Wilford Industrial Estate
Ruddington Lane, Wilford
GB-Nottingham, NG11 7EP
Tel. +44 (0) 115 - 982 1133
E-mail ▶ info@smw-autoblok-telbrook.co.uk

**China**

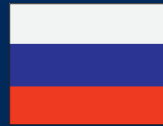
SMW-AUTOBLOK (Shanghai) Work Holding Co.,Ltd.
Building 6, No.72, JinWen Road, KongGang
Industrial Zone, ZhuQiao Town, Pudong District
201323, Shanghai P.R. China
Tel. +86 21 - 5810 - 6396
Fax +86 21 - 5810 - 6395
E-mail ▶ china@smwautoblok.cn

**Spain**

SMW-AUTOBLOK IBERICA, S.L.
Ursalto 4 – Pab. 9-10 Pol. 27
20014 Donostia - San Sebastián (Gipuzkoa)
Tel.: +34 943 - 225 079
Fax: +34 943 - 225 074
E-mail ▶ info@smwautoblok.es

**Mexico**

SMW-AUTOBLOK Mexico, S.A. de C.V.
Acceso III No. 16 Int.9,
Condominio Quadrum
Industrial Benito Juarez
Querétaro, Qro. C.P. 76120
Tel. +52 (442) 209 - 5118
Fax +52 (442) 209 - 5121
E-mail ▶ smwmex@smwautoblok.mx

**Russia**

SMW-AUTOBLOK Russia
B.Tulskaya str., 10, bld.3, off. 323,
115191 Moscow (Russia)
Tel. +7 495 -231-1011
Fax +7 495 -231-1011
E-mail ▶ info@smw-autoblok.ru

**India**

SMW-AUTOBLOK Workholding Pvt. Ltd.,
Plot No. 4, Weikfield Industrial Estate,
Gat No. 1251, Sanaswadi, Tal - Shirur,
Dist - Pune, 412 208
Tel. +91 2137 - 616 974
Fax +91 2137 - 616 972
E-mail ▶ info@smwautoblok.in

**Taiwan**

AUTOBLOK Company Ltd.
No.6, Shuyi Rd., South Dist.,
Taichung, Taiwan
Tel. +886 4-226 10826
Fax +886 4-226 12109
E-mail ▶ taiwan@smwautoblok.tw

**Turkey**

SMW AUTOBLOK Makina San. Ve Tic. Ltd. Şti.
Yenişehir Mah, Osmanlı Blv, Volume Kurtköy Ofis
No:9, Kat:1, D:4, PK: 34912, Pendik, İstanbul
Tel. +90 216 629 - 2019
E-mail ▶ info@smwautoblok.com.tr

**Czech Republic / Slovakia**

SMW-AUTOBLOK s.r.o.
Merhautova 20
CZ - 613 00 Brno
Tel. +420 513 034 157
Fax +420 513 034 158
E-mail ▶ info@smw-autoblok.cz

**Sweden / Norway**

SMW-Autoblok Scandinavia AB
Kasernvägen 2
SE - 281 35 Hässleholm
Tel. +46 (0) 761 420 111
E-mail ▶ info@smw-autoblok.se

**Poland**

SMW-AUTOBLOK Poland Sp. z.o.o.
Ul Ligocka 103 - Building 8
40-568 Katowice
Tel. +48 (0) 664 673 428
E-mail ▶ info@smwautoblok.pl

**Korea**

SMW-AUTOBLOK KOREA CO., LTD.
1108 ho, Baeksang Startower 1st,
65, Digital-ro 9-gil, Geumcheon-gu
Seoul, ROK-08511, Korea
Tel. +82 2 6267 9505
Fax +82 2 6267 9507
E-mail ▶ info-korea@smw-autoblok.net