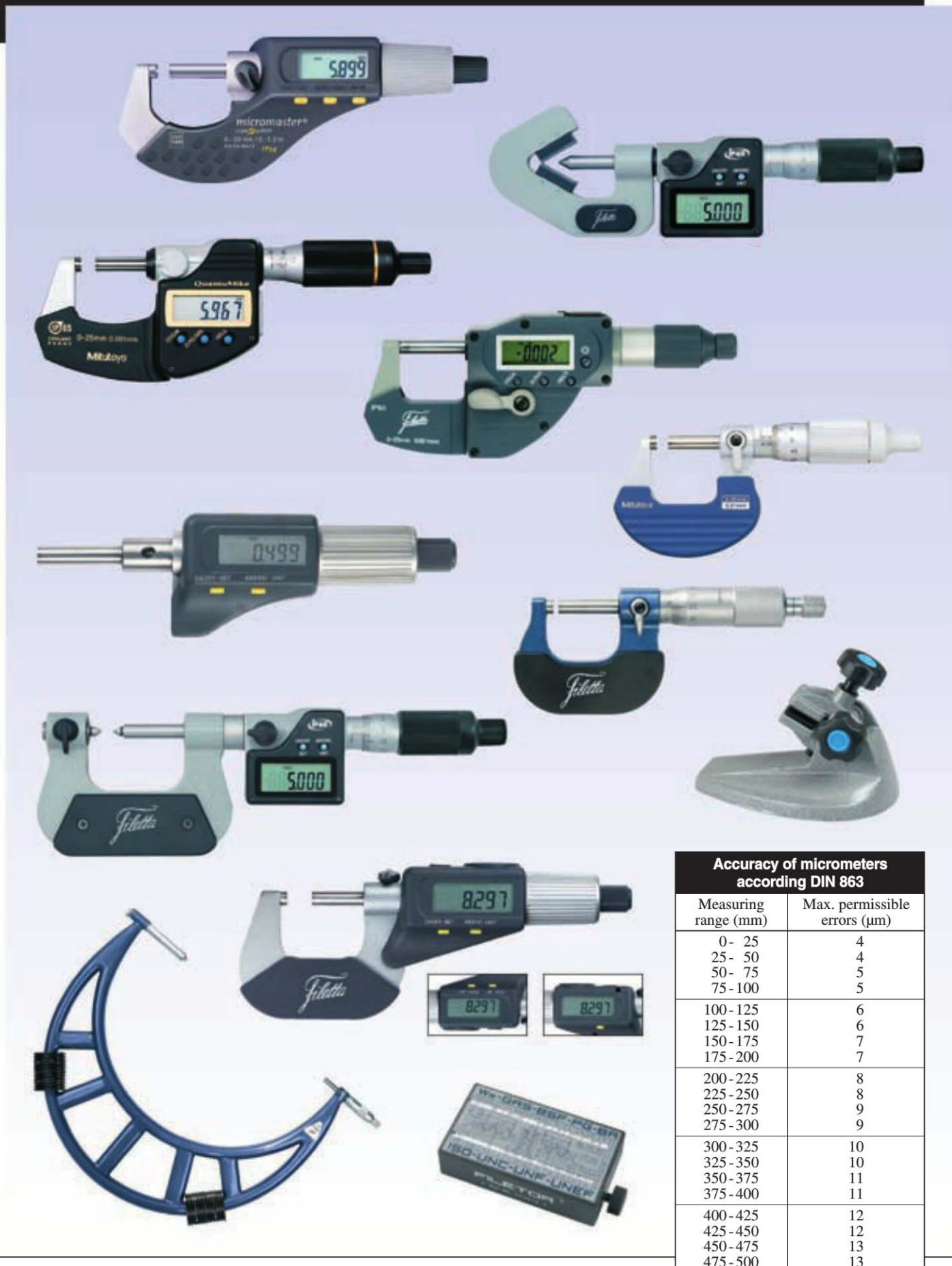


Micrometers / Micrometer heads



Accuracy of micrometers according DIN 863	
Measuring range (mm)	Max. permissible errors (µm)
0 - 25	4
25 - 50	4
50 - 75	5
75 - 100	5
100 - 125	6
125 - 150	6
150 - 175	7
175 - 200	7
200 - 225	8
225 - 250	8
250 - 275	9
275 - 300	9
300 - 325	10
325 - 350	10
350 - 375	11
375 - 400	11
400 - 425	12
425 - 450	12
450 - 475	13
475 - 500	13

Digital micrometers

Rugged digital micrometers with simple functions and an excellent price-performance ratio.

- Measuring range: 0-200 mm.
- Resolution: 0.001 mm.
- Automatic switch-off.
- Reset/preset.
- Tungsten carbide measuring faces: $\varnothing 6.5$ mm.
- DIN 863 T1.
- From measuring range 25-50 mm including setting gauge.
- Power supply: 1 battery type V357.



908.750



908.758



908.766

Item No.	Measuring range/mm	Accuracy mm	Price EUR
Not switchable:			
908.750	0- 25	± 0.004	55.00
908.751	25- 50	± 0.004	66.00
908.752	50- 75	± 0.005	73.00
908.753	75-100	± 0.005	80.00
908.754	100-125	± 0.006	88.00
908.755	125-150	± 0.006	97.00
908.756	150-175	± 0.007	107.00
908.757	175-200	± 0.007	117.00
Switchable mm/inch and ABS/INC:			
908.758	0- 25	± 0.004	60.00
908.759	25- 50	± 0.004	72.00
908.760	50- 75	± 0.005	78.00
908.761	75-100	± 0.005	86.00
908.762	100-125	± 0.006	94.00
908.763	125-150	± 0.006	103.00
908.764	150-175	± 0.007	113.00
908.765	175-200	± 0.007	124.00

Sets

Item No.	Measuring range/mm	Pieces	Price EUR
Not switchable:			
908.766	0- 75	3	194.00
908.767	0-100	4	274.00
908.768	0-150	6	459.00
Switchable mm/inch and ABS/INC:			
908.769	0- 75	3	201.00
908.770	0-100	4	296.00
908.771	0-150	6	509.00

Option

Item No.	Description	Price EUR
836.535	Spare battery	1.60

Digital micrometers

Rugged digital micrometers with simple functions and an excellent price-performance ratio.

- Measuring range: 0 - 150 mm.
- Resolution: 0.001 mm.
- mm/inch conversion.
- ABS/INC switchable.
- Automatic switch-off.
- Reset/preset.



909.982

NEW

- Tungsten carbide measuring faces: $\varnothing 6.5$ mm.
- Delivery in a case.
- Power supply: 1 battery type CR2032.

PRICE

Item No.	Measuring range/mm	Accuracy mm	Price EUR
909.982	0 - 25	± 0.003	48.00
909.983	25 - 50	± 0.003	61.00
909.984	50 - 75	± 0.004	70.00
909.985	75 - 100	± 0.004	81.00
909.986	100 - 125	± 0.005	103.00
909.987	125 - 150	± 0.005	121.00
Option:			
495.157	Spare battery		0.50

Digital micrometers with double display

This patented micrometer distinguishes itself by its the two large displays on both sides of the instrument, which can also display upside-down. Therefore the measuring value can always be presented upright, which enables ergonomic read-out at all times. Add to this its measuring range of 30 mm, the tungsten carbide measuring faces and then check out its price.

- Measuring range: 0 - 205 mm.
- Resolution: 0.001 mm.
- mm/inch conversion.
- ABS/INC switchable.
- Double LCD display.
- Second display can be switched on/off separately.

- Automatic switch-off.
- Reset/preset.
- Tungsten carbide measuring faces.
- DIN 863 T1.
- Delivery in a case.
- From measuring range 25 - 55 mm including setting gauge.
- Power supply: 1 battery type CR2032.



907.682



PRICE

Item No.	Measuring range/mm	Accuracy mm	Price EUR
907.682	0 - 30	± 0.004	142.00
907.683	25 - 55	± 0.004	175.00
907.684	50 - 80	± 0.005	187.00
907.685	75 - 105	± 0.005	220.00
907.686	100 - 130	± 0.006	252.00
907.687	125 - 155	± 0.006	278.00
907.688	150 - 180	± 0.007	303.00
907.689	175 - 205	± 0.007	329.00
Option:			
495.157	Spare battery		0.50

Digital micrometers IP65

These digital micrometers have an IP65 classification and are therefore not only resistant to dust but can also withstand water jets. Also available as fast adjustable micrometers with a pitch of 2 mm.

- Measuring range: 0 - 300 mm.
- Resolution: 0.001 mm.
- mm/inch conversion.
- ABS/INC switchable.
- On/off switch.
- Automatic switch-off.
- Tungsten carbide measuring faces.
- Protection: IP65.
- DIN 863 T1.
- Power supply: 1 battery type V357.

Fast adjustable micrometers

- 1 revolution of the thimble = 2 mm.



909.549

NEW


909.545

PRICE

Fast adjustable micrometers

Item No.	Measuring range/mm	Accuracy mm	Price EUR
909.549	0 - 25	±0.002	75.00
909.550	25 - 50	±0.002	90.00
909.551	50 - 75	±0.003	107.00
909.552	75 - 100	±0.003	124.00
909.556	100 - 125	±0.003	145.00
909.557	125 - 150	±0.003	163.00
909.558	150 - 175	±0.004	180.00
909.559	175 - 200	±0.004	198.00
909.560	200 - 225	±0.004	217.00
909.561	225 - 250	±0.004	233.00
909.562	250 - 275	±0.005	250.00
909.563	275 - 300	±0.005	268.00
Option: 836.535 Spare battery			1.60

Item No.	Measuring range/mm	Accuracy mm	Price EUR
909.545	0 - 25	±0.002	140.00
909.546	25 - 50	±0.002	157.00
909.547	50 - 75	±0.003	175.00
909.548	75 - 100	±0.003	192.00

Sets

Item No.	Measuring range/mm	Pieces	Price EUR
909.577	0 - 75	3	278.00
909.578	0 - 100	4	406.00
909.579	0 - 150	6	714.00

Micrometers

- Measuring range: 0 - 300 mm.
- Graduation: 0.01 mm.
- Friction thimble.
- Tungsten carbide measuring faces: $\varnothing 6.5$ mm.
- DIN 863 T1.
- From measuring range 25 - 50 mm including setting gauge.



906.000



906.008



906.059



906.057



906.056



Item No.	Measuring range/mm	Accuracy mm	Price EUR
906.000	0- 25	± 0.004	16.50
906.001	25- 50	± 0.004	18.00
906.002	50- 75	± 0.005	20.00
906.003	75-100	± 0.005	22.00
906.004	100-125	± 0.006	25.50
906.005	125-150	± 0.006	29.80
906.006	150-175	± 0.007	34.90
906.007	175-200	± 0.007	39.20
906.008	200-225	± 0.008	43.00
906.009	225-250	± 0.008	47.00
906.010	250-275	± 0.009	51.00
906.011	275-300	± 0.009	56.00

Model for left- and right-handed use:

907.167	0- 25	± 0.004	21.90
907.168	25- 50	± 0.004	24.30
907.169	50- 75	± 0.005	26.30
907.170	75-100	± 0.005	29.00

Sets

Item No.	Measuring range/mm	Price EUR
906.055	0- 75	63.00
906.056	0-100	76.00
906.057	0-150	132.00
906.058	150-300	272.00
906.059	0-300	404.00



907.167

Double graduation: for left- and right-handed use.

Micrometers 0.001 mm, parallax-free

Rugged micrometers with a vernier graduation of 0.001 mm and a favourable price-performance ratio.

- Measuring range: 0 - 200 mm.
- Vernier: 0.001 mm, parallax-free by enlarged thimble.
- Friction thimble.
- Tungsten carbide measuring faces: $\varnothing 6.5$ mm.
- DIN 863 T1.
- Delivery incl. adjustment tool.
- From measuring range 25 - 50 mm including setting gauge.



906.280



Item No.	Measuring range/mm	Accuracy mm	Price EUR
906.280	0 - 25	± 0.004	51.00
906.281	25 - 50	± 0.004	55.00
906.282	50 - 75	± 0.005	59.00
906.283	75 - 100	± 0.005	63.00
906.284	100 - 125	± 0.006	69.00
906.285	125 - 150	± 0.006	77.00
906.286	150 - 175	± 0.007	81.00
906.287	175 - 200	± 0.007	89.00

Fast adjustable micrometers

Fast adjustable micrometers because one revolution results in a displacement of 1 mm. The measuring value can be read directly from the 100 step graduation on the thimble.

- Measuring range: 0 - 200 mm.
- Graduation: 0.01 mm.
- 1 revolution of the thimble = 1 mm.
- Thimble with 100 step graduation.
- Tungsten carbide measuring faces: $\varnothing 8$ mm.
- DIN 863 T1.
- From measuring range 25 - 50 mm including setting gauge.



907.000



Item No.	Measuring range/mm	Accuracy mm	Price EUR
907.000	0 - 25	± 0.004	40.00
907.001	25 - 50	± 0.004	44.00
907.002	50 - 75	± 0.005	51.00
907.003	75 - 100	± 0.005	55.00
907.004	100 - 125	± 0.006	65.00
907.005	125 - 150	± 0.006	73.00
907.006	150 - 175	± 0.007	81.00
907.007	175 - 200	± 0.007	89.00

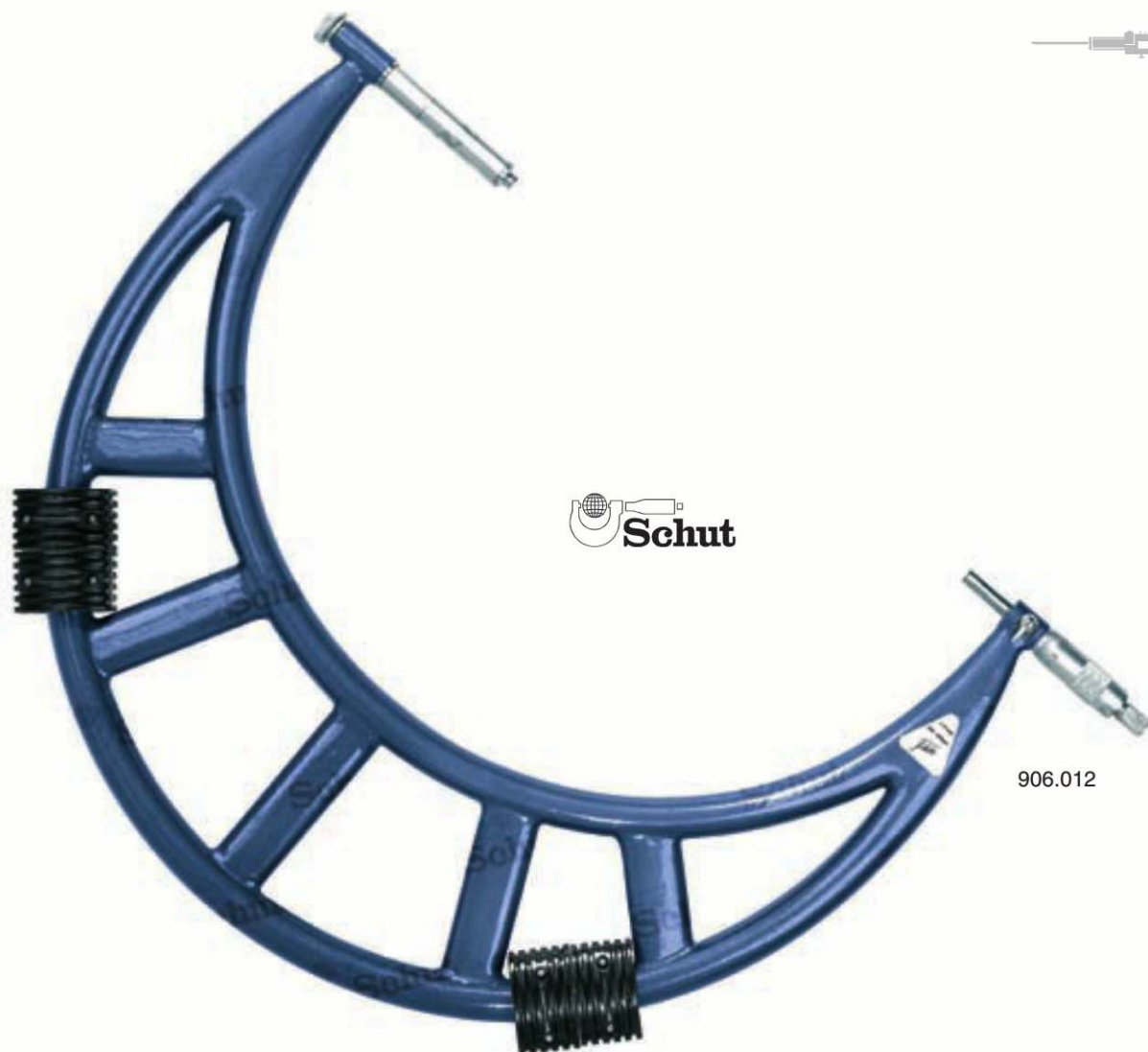


Micrometers with a large measuring range

The varnished tubular frame is very stable and equipped with heat insulating grips. With two spacers for a large measuring span.

- Measuring range: 300 - 2000 mm.
- Measuring span:
 - 300 - 1000 mm: 100 mm (travel 25 mm, spacers 25 and 50 mm),
 - 1000 - 2000 mm: 200 mm (travel 50 mm, spacers 50 and 100 mm).
- Graduation: 0.01 mm.
- Rotating spindle.
- Tungsten carbide measuring faces: $\varnothing 8$ mm.
- No-glare chrome finished thimble.
- DIN 863 T3.
- With two setting gauges.

Item No.	Measuring range/mm	Accuracy mm	Price EUR
Measuring span 100 mm:			
906.012	300 - 400	± 0.011	186.00
906.013	400 - 500	± 0.013	210.00
906.014	500 - 600	± 0.015	247.00
906.015	600 - 700	± 0.016	287.00
906.016	700 - 800	± 0.018	349.00
906.017	800 - 900	± 0.020	406.00
906.018	900 - 1000	± 0.020	455.00
Measuring span 200 mm:			
906.019	1000 - 1200	± 0.020	972.00
906.020	1200 - 1400	± 0.024	1,038.00
906.021	1400 - 1600	± 0.028	1,156.00
906.022	1600 - 1800	± 0.031	1,228.00
906.023	1800 - 2000	± 0.034	1,299.00



906.012

Delivery ex Groningen, Netherlands

Tolerance micrometers with precision dial indicator

Because of the retractable anvil, the fine adjustment and the tolerance markers very suitable for batch inspection and tolerance measurements.

- Measuring range: 0 - 100 mm.
- Measuring range dial indicator: ± 0.04 mm.
- Graduation (dial indicator): 0.001 mm.
- Accuracy:
 - micrometer: ± 0.003 mm (only 906.568),
 - dial indicator: ± 0.001 mm.
- Measuring force: 5 - 10 N (only 906.569/570/571/614).
- Adjustable tolerance markers.
- Tungsten carbide measuring faces.



NEW

Item No.	Measuring range/mm	Graduation mm	Vernier thimble/mm	Price EUR
906.568	0 - 25	0.001	0.002	190.00
906.597	25 - 50	0.001	—	218.00
906.598	50 - 75	0.001	—	247.00
906.599	75 - 100	0.001	—	287.00
With protection IP54:				
906.569	0 - 25	0.001	—	255.00
906.570	25 - 50	0.001	—	281.00
906.571	50 - 75	0.001	—	300.00
906.614	75 - 100	0.001	—	323.00

Tolerance micrometers with two spindles

Can be used as a Go/NoGo micrometer by setting of the lower and upper limits.

- Measuring range: 0 - 50 mm.
- Vernier: 0.002 mm.
- Accuracy: ± 0.003 mm.
- Tungsten carbide measuring faces.



Item No.	Measuring range/mm	Accuracy mm	Price EUR
906.288	0 - 25	± 0.003	63.00
906.289	25 - 50	± 0.003	76.00

Micrometers with spherical anvil

Micrometers for measuring bent surfaces and wall thicknesses of tubes, bearings, rings, etc.

- Measuring range: 0 - 100 mm.
- Analog: graduation 0.01 mm, digital: resolution 0.001 mm.
- Tungsten carbide measuring faces.

Digital

- mm/inch conversion.
- ABS/INC switchable.
- On/off switch.
- Automatic switch-off.
- Reset/preset.
- Protection: IP65.
- Power supply: 1 battery type V357.



906.155



NEW



909.598

Analog

Item No.	Measuring range/mm	Accuracy mm	Price EUR
906.155	0 - 25	±0.004	23.30
907.044	25 - 50	±0.004	29.50
907.045	50 - 75	±0.005	49.00
907.046	75 - 100	±0.005	58.00

Digital

Item No.	Measuring range/mm	Accuracy mm	Price EUR
909.598	0 - 25	±0.002	136.00
909.599	25 - 50	±0.002	149.00
909.600	50 - 75	±0.003	164.00
909.601	75 - 100	±0.003	180.00

Option:

836.535 Spare battery 1.60

PRICE



Gear pitch micrometers

Micrometers with large, disk-shaped measuring faces for measuring e.g. gear pitches and paper and foil thickness.

- Measuring range: 0 - 200 mm.
- Analog: graduation 0.01 mm, digital: resolution 0.001 mm.
- Non-rotating spindle: \varnothing 8 mm.
- Measuring faces: stainless steel (HRC 52 - 54).

Digital

- mm/inch conversion.
- ABS/INC switchable.
- Automatic switch-off.
- Reset/preset.
- Power supply: 1 battery type V357.



906.580



909.777

NEW



Item No.	Measuring range/mm	Accuracy mm	Measuring faces \varnothing /mm	Price EUR
Analog:				
906.580	0 - 25	± 0.006	20	104.00
906.581	25 - 50	± 0.006	20	112.00
906.582	50 - 75	± 0.007	20	115.00
906.583	75 - 100	± 0.007	20	123.00
906.584	100 - 125	± 0.009	30	137.00
906.585	125 - 150	± 0.009	30	147.00
906.586	150 - 175	± 0.010	30	158.00
906.587	175 - 200	± 0.010	30	168.00
Digital:				
909.777	0 - 25	± 0.006	20	171.00
909.778	25 - 50	± 0.006	20	185.00
909.779	50 - 75	± 0.007	20	199.00
909.780	75 - 100	± 0.007	20	220.00
909.781	100 - 125	± 0.009	30	240.00
909.782	125 - 150	± 0.009	30	261.00
909.783	150 - 175	± 0.010	30	284.00
909.784	175 - 200	± 0.010	30	307.00
Option:				
836.535	Spare battery			1.60



Deep throat micrometers

Micrometers with a deep throat especially for measuring the thickness of e.g. sheet metal, paper and plastic sheets.

- Measuring range: 0 - 50 mm.
- Analog: graduation 0.01 mm, digital: resolution 0.001 mm.
- Tungsten carbide measuring faces: $\varnothing 6.5$ mm.

Digital

- mm/inch conversion.
- ABS/INC switchable.
- Automatic switch-off.
- Reset/preset.
- Protection: IP65.
- Power supply: 1 battery type V357.



907.068



909.694



NEW



Item No.	Measuring range/mm	Accuracy mm	Throat depth/mm	Price EUR
Analog:				
907.068	0 - 25	± 0.004	50	54.00
907.069	25 - 50	± 0.004	50	61.00
907.070	0 - 25	± 0.005	100	58.00
907.071	25 - 50	± 0.005	100	66.00
907.072	0 - 25	± 0.006	150	69.00
907.073	25 - 50	± 0.006	150	76.00
Digital:				
909.694	0 - 25	± 0.004	50	160.00
909.695	25 - 50	± 0.004	50	166.00
909.696	0 - 25	± 0.005	100	163.00
909.697	25 - 50	± 0.005	100	170.00
909.698	0 - 25	± 0.006	150	174.00
909.699	25 - 50	± 0.006	150	182.00
Option:				
836.535	Spare battery			1.60

Micrometers with lamellar measuring faces

For measuring grooves, keyseats and other hard-to-reach places.

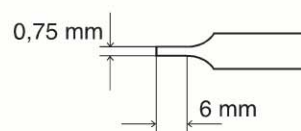
- Measuring range: 0 - 175 mm.
- Analog: graduation 0.01 mm, digital: resolution 0.001 mm.
- Non-rotating spindle.
- Blade width: 0.75 mm, blade length: 6 mm.

Digital

- mm/inch conversion.
- ABS/INC switchable.
- Reset/preset.
- Hold function.
- Power supply: 1 battery type V357.



906.141



NEW



909.882

Analog

Item No.	Measuring range/mm	Accuracy mm	Price EUR
906.141	0 - 25	±0.004	99.00
906.142	25 - 50	±0.004	107.00
906.143	50 - 75	±0.005	115.00
906.144	75 - 100	±0.005	127.00
906.222	100 - 125	±0.006	138.00
906.223	125 - 150	±0.006	150.00
906.224	150 - 175	±0.007	163.00

Digital

Item No.	Measuring range/mm	Accuracy mm	Price EUR
909.882	0 - 25	±0.004	175.00
909.883	25 - 50	±0.004	185.00
909.884	50 - 75	±0.005	196.00
909.885	75 - 100	±0.005	210.00
909.886	100 - 125	±0.006	220.00
909.887	125 - 150	±0.006	231.00
909.888	150 - 175	±0.007	241.00

Option:

836.535 Spare battery

1.60

PRICE

Screw thread micrometers

- Measuring range: 0 - 200 mm.
- Analog: graduation 0.01 mm, digital: resolution 0.001 mm.
- Insert shaft: $\varnothing 5$ mm.
- DIN 863 T3.
- Delivery incl. adjustment tools.
- From measuring range 25 - 50 mm including setting gauge 60° .
- No-glare chrome finished thimble.

Digital

- mm/inch conversion.
- ABS/INC switchable.
- On/off switch.
- Reset/preset.
- Protection: IP65.
- Power supply: 1 battery type V357.



906.751

NEW



909.889

Analog, without measuring inserts

Item No.	Measuring range/mm	Accuracy mm	Price EUR
906.750	0 - 25	± 0.004	70.00
906.751	25 - 50	± 0.004	77.00
906.752	50 - 75	± 0.005	90.00
906.753	75 - 100	± 0.005	98.00
906.754	100 - 125	± 0.006	112.00
906.755	125 - 150	± 0.006	126.00
906.756	150 - 175	± 0.007	139.00
906.757	175 - 200	± 0.007	153.00

Digital, without measuring inserts

Item No.	Measuring range/mm	Accuracy mm	Price EUR
909.889	0 - 25	± 0.004	126.00
909.890	25 - 50	± 0.004	136.00
909.891	50 - 75	± 0.005	147.00
909.892	75 - 100	± 0.005	160.00
909.893	100 - 125	± 0.006	235.00
909.894	125 - 150	± 0.006	255.00
909.895	150 - 175	± 0.007	278.00
909.896	175 - 200	± 0.007	304.00

Option:

836.535 Spare battery

1.60

PRICE

Screw thread micrometers (continued)



Item No.	Threads per inch	Price EUR
----------	------------------	-----------

Measuring inserts for Whitworth threads, 55° flank angle, per pair:

906.730	60 -48	19.60
906.731	48 -40	19.60
906.732	40 -32	19.60
906.733	32 -24	19.60
906.734	24 -18	19.60
906.735	18 -14	19.60
906.736	14 -10	19.60
906.737	10 - 7.0	19.60
906.738	7.0- 4.5	19.60
906.739	4.5- 3.5	19.60

906.740	Set 60-3.5	153.00
---------	------------	--------

Item No.	Pitch/mm	Price EUR
----------	----------	-----------

Measuring inserts for metric threads, 60° flank angle, per pair:

906.720	0.4-0.5	19.60
906.721	0.6-0.9	19.60
906.722	1.0-1.75	19.60
906.723	2.0-3.0	19.60
906.724	3.5-5.0	19.60
906.725	5.5-7.0	19.60

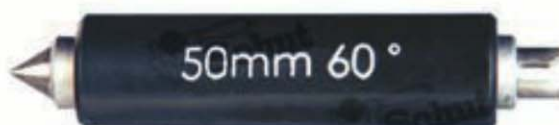
906.726	Set 0.4-7.0	87.00
---------	-------------	-------

Item No.	Threads per inch	Price EUR
----------	------------------	-----------

Measuring inserts for UN, UNC and UNF threads, 60° flank angle, per pair:

906.741	64 -48	19.60
906.742	44 -28	19.60
906.743	24 -14	19.60
906.744	13 - 9	19.60
906.745	8 - 5	19.60
906.746	4.5- 3.5	19.60

906.747	Set 64-3.5	92.00
---------	------------	-------



909.305



Item No.	Length/mm	Price EUR
----------	-----------	-----------

Hardened steel setting standards for threads with 60° flank angle:

909.304	25	30.60
909.305	50	35.20
909.306	75	40.00
909.307	100	46.00
909.308	125	54.00
909.309	150	61.00
909.310	175	70.00
909.311	200	75.00

Item No.	Length/mm	Price EUR
----------	-----------	-----------

Hardened steel setting standards for threads with 55° flank angle:

909.312	25	30.60
909.313	50	35.20
909.314	75	40.00
909.315	100	46.00
909.316	125	54.00
909.317	150	61.00
909.318	175	70.00
909.319	200	81.00

Micrometer stand

Rigid table stand for micrometers.

- Inclination adjustable.
- Weight: 1.1 kg.



PRICE

Item No.	Clamping range/mm	Price EUR
906.212	0 - 18	13.30

Micrometer stand

Cast steel stand for micrometers.

- Fixed inclination: 45°.
- Weight: 0.7 kg.

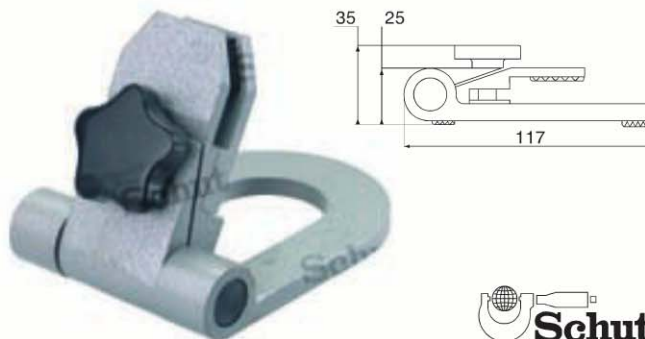


PRICE

Item No.	Clamping range/mm	Price EUR
908.983	4 - 12	17.80

Foldable micrometer stand

Portable stand with a folded structure for micrometers.



PRICE

Item No.	Clamping range/mm	Price EUR
907.152	7 - 14	22.50

Ball attachments

These ball attachments can be clamped on any anvil and spindle with a diameter of 6.5 or 8 mm.

- Ball: \varnothing 5 mm.



907.166

907.150

PRICE

Item No.	Description	Price EUR
907.150	Ball attachment, \varnothing 6.5 mm	14.20
907.166	Ball attachment, \varnothing 8 mm	15.30

Measuring force indicators

Within the range of 5 to 12 N these measuring force indicators can show the measuring force of micrometers.



907.151

PRICE

Item No.	For micrometers	Price EUR
907.151	0 - 25 mm	9.20
908.947	25 - 50 mm	10.90
908.948	50 - 75 mm	12.00
908.949	75 - 100 mm	12.00