

Calipers / Depth calipers and micrometers



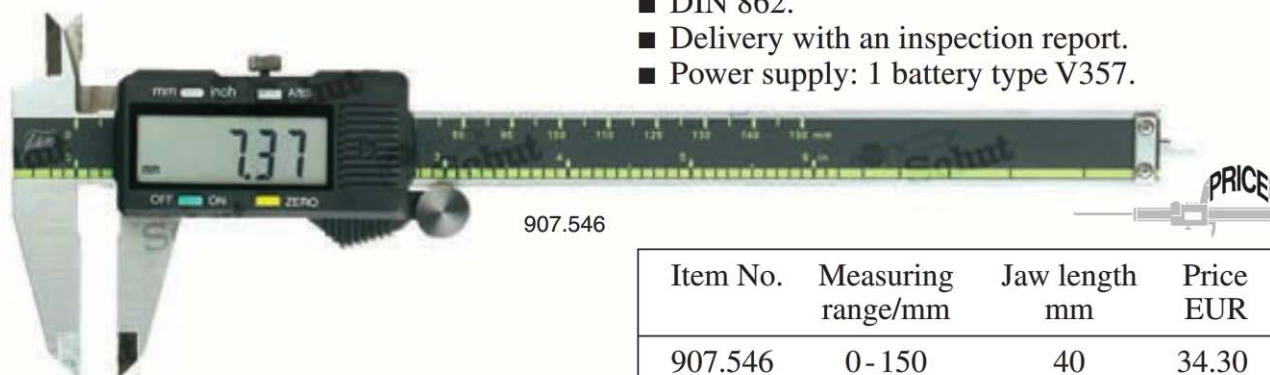
Measuring length l (mm)	Accuracy of callipers according DIN 862		
	0.1 / 0.05 mm	0.02 mm	digital 0.01 mm
50	50	20	20
100			
200			
300	60	30	30
400			
500			
600			
700	90	40	40
800			
900			
1000			
1200			
1400	140	50	-
1600			
1800			
2000	200	60	-
2000	220		

C02.001 EN 20170116

Absolute digital calipers

The advantage of these calipers is the one-time setting of the absolute zero position until the battery has to be changed. This reduces the chance of measuring errors and enables you to use the calipers without zero setting.

- Measuring range: 0 - 300 mm.
- Resolution: 0.01 mm.
- mm/inch conversion.
- ABS/INC switchable.
- Digit height: 10 mm.
- On/off switch.
- Reset.
- Max. measuring speed: 1.5 m/s.
- DIN 862.
- Delivery with an inspection report.
- Power supply: 1 battery type V357.



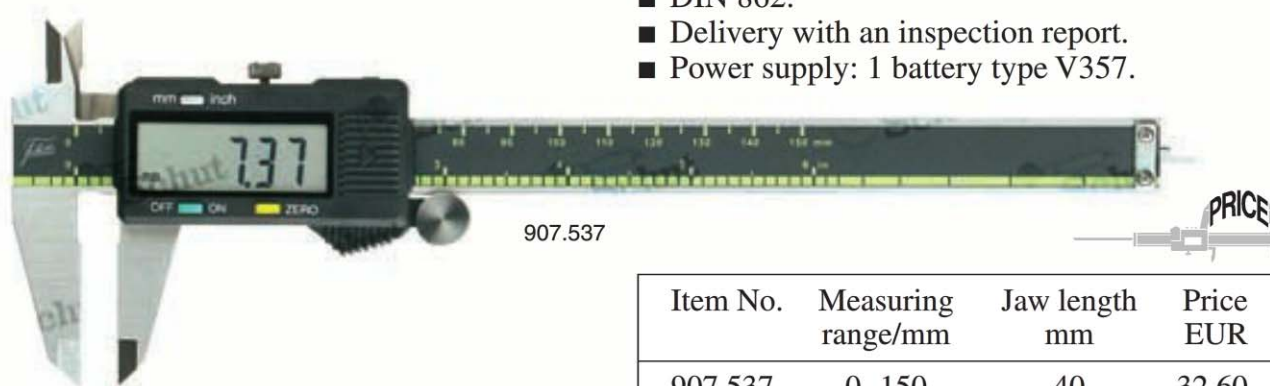
907.546

Item No.	Measuring range/mm	Jaw length mm	Price EUR
907.546	0 - 150	40	34.30
907.547	0 - 200	50	53.00
907.548	0 - 300	60	87.00
Option:			
836.535	Spare battery		1.60

Digital calipers

The advantage of these calipers is the one-time setting of the absolute zero position until the battery has to be changed. This reduces the chance of measuring errors and enables you to use the calipers without zero setting.

- Measuring range: 0 - 300 mm.
- Resolution: 0.01 mm.
- mm/inch conversion.
- Digit height: 10 mm.
- On/reset switch.
- Max. measuring speed: 1.5 m/s.
- DIN 862.
- Delivery with an inspection report.
- Power supply: 1 battery type V357.



907.537

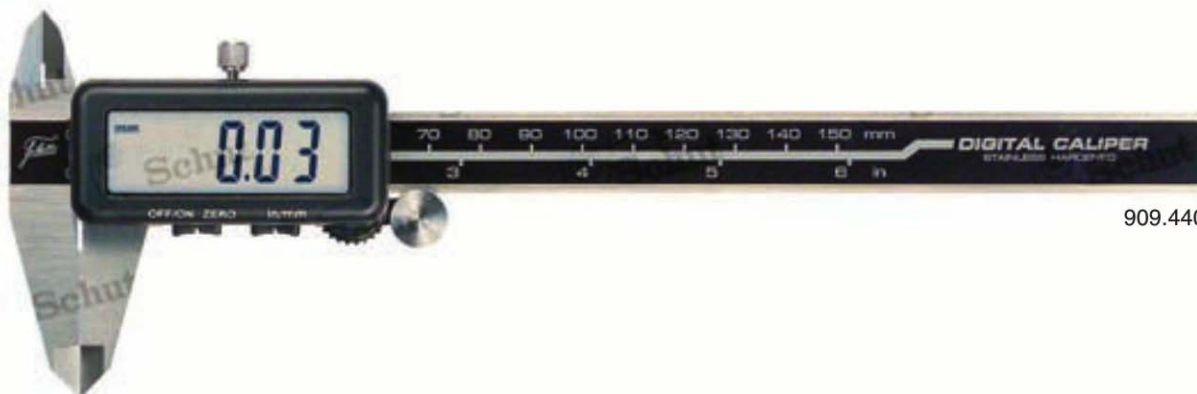
Item No.	Measuring range/mm	Jaw length mm	Price EUR
907.537	0 - 150	40	32.60
907.538	0 - 200	50	51.00
907.539	0 - 300	60	85.00
Option:			
836.535	Spare battery		1.60



Digital calipers with glass ruler

Equipped with a glass ruler. Very easy displacement by non-contact movement.

- Measuring range: 0 - 300 mm.
- Resolution: 0.01 mm.
- mm/inch conversion.
- ABS/INC switchable (only 909.443/444/445).
- Digit height: 12 mm.
- On/reset switch.
- Automatic switch-off.
- DIN 862.
- Delivery with an inspection report.
- Power supply: 1 battery type CR2025.



909.440



909.440



Item No.	Measuring range/mm	Jaw length mm	Price EUR
909.440	0 - 150	40	39.90
909.441	0 - 200	50	58.00
909.442	0 - 300	60	94.00
Absolute calipers:			
909.443	0 - 150	40	44.00
909.444	0 - 200	50	62.00
909.445	0 - 300	60	100.00
Options:			
495.214	Spare battery		0.70
909.446	USB interface		120.00
937.179	Foot switch		43.00



909.446

USB interface:

- For data transfer to PC (e.g. Excel, Word).
- Operating system: Windows 2000/XP/Vista/7.
- PC connection: USB data output (cable length 2 m).
- No software or driver to install.
- Foot switch (optional).

Absolute digital calipers IP54

Calipers with an absolute measuring system. This gives you the advantage that the caliper stores the one-time setting of the absolute zero position until the battery has to be changed. This reduces the chance of measuring errors and enables you to use the caliper without zero setting.

- Measuring range: 0 - 300 mm.
- Resolution: 0.01 mm.
- mm/inch conversion.
- ABS/INC switchable.
- Digimatic data output.
- On/off switch.
- Reset.
- Max. measuring speed: any.
- Protection: IP54.
- Delivery in a case.
- Power supply: 1 battery type CR2032.



909.602

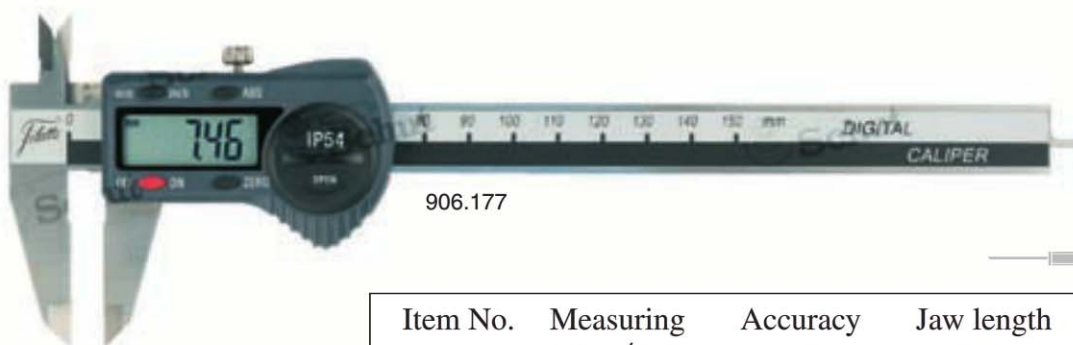
PRICE

Item No.	Measuring range/mm	Accuracy mm	Jaw length mm	Price EUR
909.602	0 - 150	0.02	40	52.00
909.603	0 - 200	0.02	50	70.00
909.604	0 - 300	0.03	60	88.00
Options:				
495.157	Spare battery			0.50
909.686	USB cable			101.00
909.687	Footswitch			17.30

NEW

Digital calipers IP54

- Measuring range: 0 - 300 mm.
- Resolution: 0.01 mm.
- mm/inch conversion.
- On/off switch.
- Reset.
- Protection: IP54.
- Power supply: 1 battery type CR2032.



906.177

PRICE

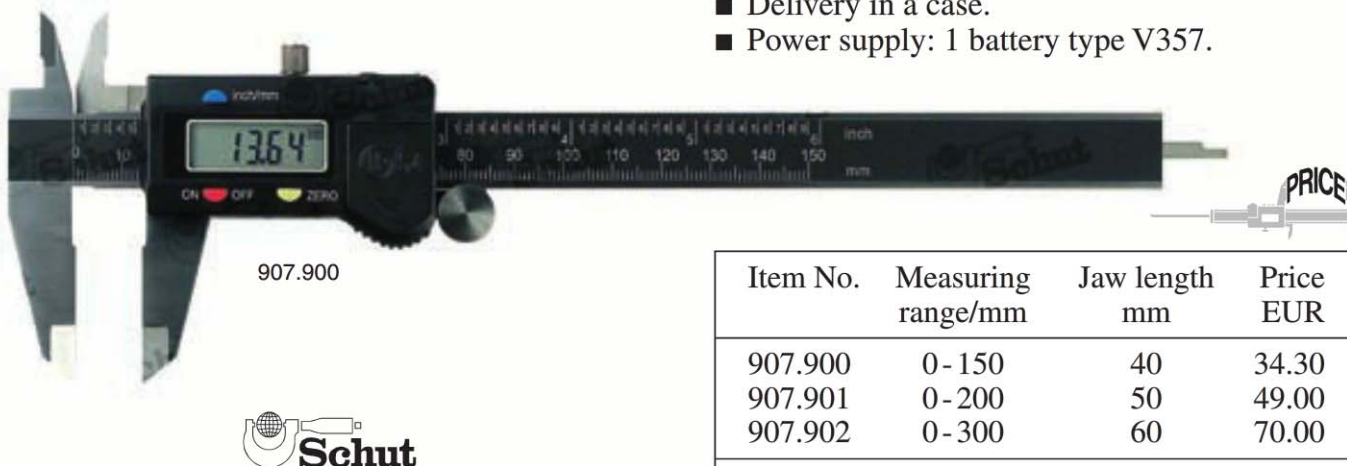
Item No.	Measuring range/mm	Accuracy mm	Jaw length mm	Price EUR
906.177	0 - 150	0.03	40	38.60
906.178	0 - 200	0.03	50	54.00
906.179	0 - 300	0.04	60	79.00
Option:				
495.157	Spare battery			0.50

NEW

Digital calipers IP54

These calipers have a protection degree of IP54 and are therefore protected against splash water and resistant to oil and dust. Zero setting at any position. Equipped with thumb wheel and locking screw.

- Measuring range: 0 - 300 mm.
- Resolution: 0.01 mm.
- mm/inch conversion.
- On/off switch.
- Reset.
- Max. measuring speed: 1.5 m/s.
- Thumb wheel and locking screw.
- Flat depth rod.
- Protection: IP54.
- Resistant to workshop conditions.
- Delivery in a case.
- Power supply: 1 battery type V357.



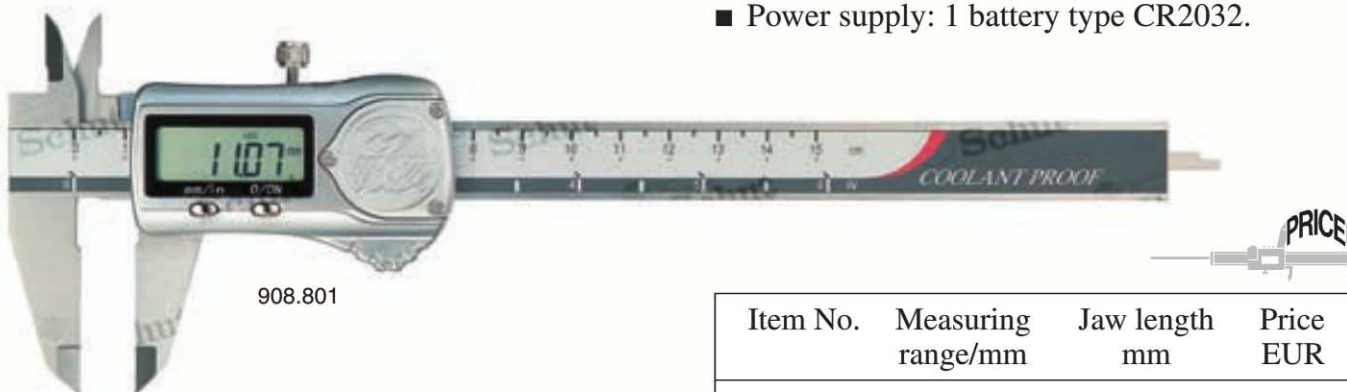
907.900

Item No.	Measuring range/mm	Jaw length mm	Price EUR
907.900	0 - 150	40	34.30
907.901	0 - 200	50	49.00
907.902	0 - 300	60	70.00
Option:			
836.535	Spare battery		1.60

Digital calipers IP67

These IP67 protected calipers are especially suitable for use in production environments: they are fully protected against dust intrusion and even last temporary immersion.

- Measuring range: 0 - 300 mm.
- Resolution: 0.01 mm.
- mm/inch conversion.
- Automatic switch-off.
- Reset.
- Locking screw.
- Flat depth rod.
- Protection: IP67.
- Power supply: 1 battery type CR2032.



908.801

Item No.	Measuring range/mm	Jaw length mm	Price EUR
908.801	0 - 150	40	89.00
908.802	0 - 200	50	113.00
908.803	0 - 300	60	140.00
Option:			
495.157	Spare battery		0.50

Digital calipers IP67

These IP67 protected calipers are especially suitable for use in production environments: they are fully protected against dust intrusion and even lasts temporary immersion.

- Measuring range: 0 - 300 mm.
- Resolution: 0.01 mm.
- mm/inch conversion.
- Large, easy to read LCD display.
- On/reset switch.
- Automatic switch-off.
- Thumb wheel and locking screw.
- Stable flat depth rod.
- Protected rack.
- Protection: IP67.
- DIN 862.
- Delivery with an inspection report.
- Power supply: 1 battery type V357.



907.500

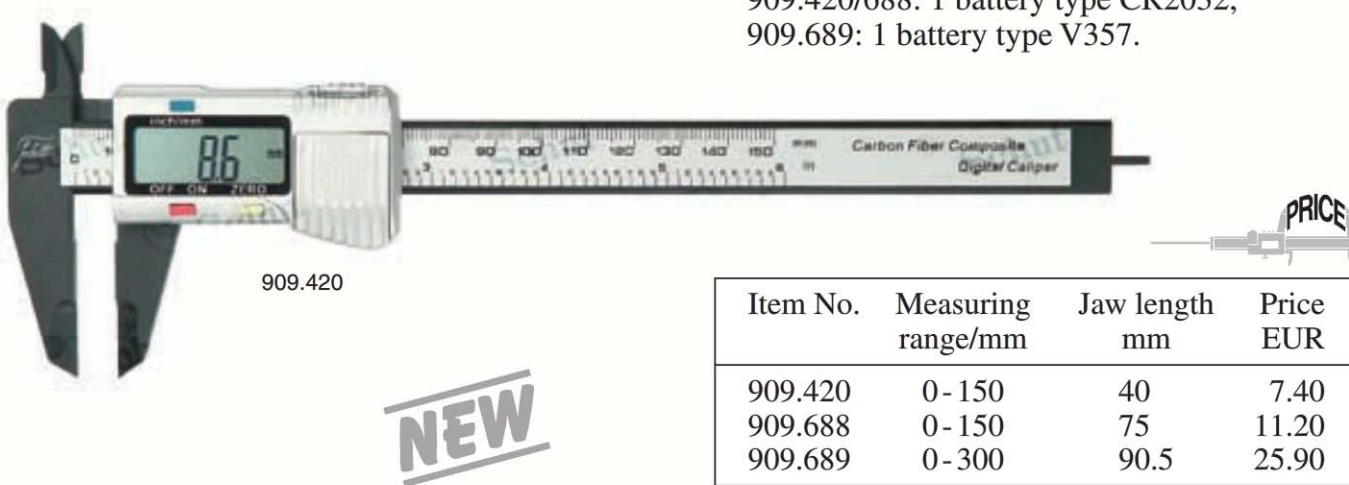


Item No.	Measuring range/mm	Jaw length mm	Price EUR
907.500	0 - 150	40	84.00
907.501	0 - 200	50	132.00
907.502	0 - 300	60	180.00
Option:			
836.535	Spare battery		1.60

Digital carbon fiber calipers

Digital calipers made of carbon fiber.

- Measuring range: 0 - 300 mm.
- Resolution: 0.1 mm.
- mm/inch conversion.
- On/off switch.
- Automatic switch-off.
- Reset.
- Flat depth rod.
- Power supply:
909.420/688: 1 battery type CR2032,
909.689: 1 battery type V357.



909.420

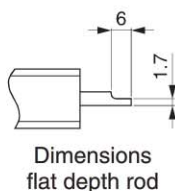
NEW

Item No.	Measuring range/mm	Jaw length mm	Price EUR
909.420	0 - 150	40	7.40
909.688	0 - 150	75	11.20
909.689	0 - 300	90.5	25.90
Options:			
495.157	Spare battery type CR2032		0.50
836.535	Spare battery type V357		1.60

TESA TWIN-Cal absolute digital calipers IP67

New generation IP67 calipers, TESA TWIN-Cal, with an absolute measuring system and a “soft touch” grip. These calipers have a unique connectivity concept TWIN & LINK. All TWIN-Cal calipers are equipped with a data output. Connect the TESA Link Connector (or TWIN-Cap) to the TWIN-Cal for “plug and play” (wireless) data transfer.

- Measuring range: 0- 300 mm.
- Resolution: 0.01 mm.
- Repeatability: 0.01 mm.
- mm/inch conversion.
- Digit height: 11 mm.
- Automatic switch-off.
- Reset.
- Max. measuring speed: approx. 2.5 m/s.
- Thumb wheel (except 783.290/291); also optionally available.
- Locking screw.
- Round ($\varnothing 1.5$ mm) or flat depth rod.
- Protection: IP67 (also in combination with data output cable).
- DIN 862.
- Standard supplied with data output (USB, Digimatic or wireless).
- Delivery in a case with an inspection report and a declaration of conformity.
- Power supply: 1 battery type CR2032.



Item No.	Measuring range/mm	Jaw length mm	Depth rod	Price EUR
783.290	0- 150	40	flat	159.00
783.291	0- 150	40	round	159.00
783.292	0- 150	40	round	159.00
783.293	0- 200	50	flat	222.00
783.294	0- 300	64	flat	305.00

Options:

495.157	Spare battery	0.50
779.362 ¹	Depth measuring base 75 x 6 mm	33.00
783.300 ¹	Thumb wheel	9.00
783.301 ²	TESA Link Connector USB	118.00
783.302 ²	TESA Link Connector Digimatic	164.00
783.303 ²	TESA Link Connector TWIN-Cap	159.00

¹ Only suitable for the calipers with measuring range 0- 150 mm.

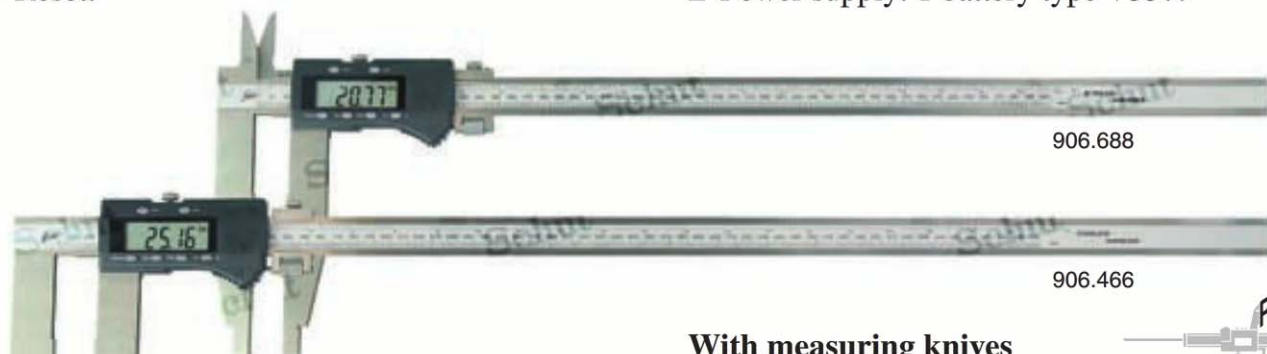
² The TESA Link Connector will replace the battery cover.



Absolute digital workshop calipers

- Measuring range: 0 - 2000 mm.
- Resolution: 0.01 mm.
- mm/inch conversion.
- ABS/INC switchable.
- On/off switch.
- Reset.

- Preset (except 906.460/686/708).
- Memory for measuring values when the display is switched off.
- Fine adjustment.
- Rounded jaw ends for internal measurements.
- Power supply: 1 battery type V357.



Without measuring knives

Item No.	Measuring range mm	Length mm		Price EUR
		J1	K	
906.708	0- 300	75	10	92.00
906.709	0- 300	150	20	136.00
906.465	0- 500	150	20	197.00
906.470	0- 500	200	20	245.00
906.718	0- 500	250	20	282.00
906.466	0- 600	150	20	275.00
906.471	0- 600	200	20	380.00
906.719	0- 600	300	20	415.00
906.467	0-1000	200	20	596.00
906.472	0-1000	300	20	856.00
906.468	0-1500	200	20	940.00
906.473	0-1500	300	20	1,304.00
906.469	0-2000	200	20	1,503.00
906.474	0-2000	300	20	1,956.00

Item No.	Description	Price EUR
836.535	Spare battery	1.60

With measuring knives

Item No.	Measuring range mm	Length mm			Price EUR
		J1	J2	K	
Meas. knives for internal measurements (I):					
906.686	0- 300	75	28	10	103.00
906.687	0- 300	150	45	20	161.00
906.688	0- 500	150	45	20	212.00
906.689	0- 500	200	60	20	269.00
906.690	0- 500	250	60	20	329.00
906.691	0- 600	150	45	20	279.00
906.692	0- 600	200	60	20	358.00
906.693	0- 600	300	60	20	501.00
906.694	0-1000	200	60	20	627.00
906.695	0-1000	300	60	20	911.00
906.696	0-1500	200	60	20	1,002.00
906.697	0-1500	300	60	20	1,361.00
906.698	0-2000	200	60	20	1,511.00
906.699	0-2000	300	60	20	2,020.00

Meas. knives for external measurements (II):					
906.460	0- 300	75	38	10	114.00
906.758	0- 300	150	56	20	160.00
906.461	0- 500	150	56	20	225.00
906.759	0- 500	200	67	20	260.00
906.760	0- 500	250	80	20	323.00
906.761	0- 600	150	56	20	274.00
906.762	0- 600	200	67	20	354.00
906.763	0- 600	300	80	20	434.00
906.462	0-1000	200	67	20	697.00
906.764	0-1000	300	80	20	913.00
906.463	0-1500	200	80	20	1,096.00
906.765	0-1500	300	80	20	1,336.00
906.464	0-2000	200	80	20	1,622.00
906.766	0-2000	300	80	20	1,990.00

C02 208 EN 20170116

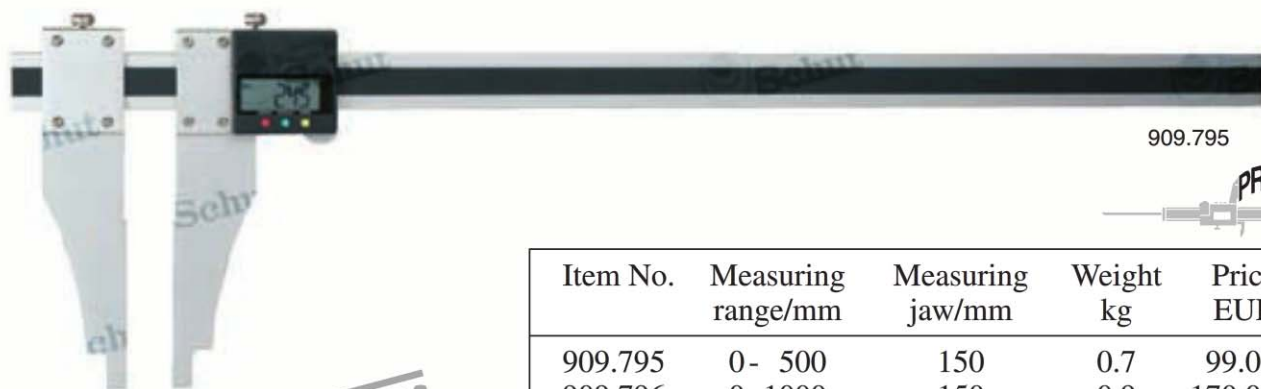
Digital aluminum workshop calipers

Lightweight digital aluminum workshop calipers with both measuring jaws moveable.

- Measuring range: 0 - 1500 mm.
- Resolution: 0.1 mm.
- mm/inch conversion.
- ABS/INC switchable.
- On/off switch.
- Reset.



- Aluminum scale with hollow construction (8 x 30 mm).
- Both of the measuring jaws can be moved.
- Delivery in a case.
- Power supply: 1 battery type V357.



909.795

PRICE

NEW

Item No.	Measuring range/mm	Measuring jaw/mm	Weight kg	Price EUR
909.795	0 - 500	150	0.7	99.00
909.796	0 - 1000	150	0.9	170.00
909.797	0 - 1500	150	1.1	298.00
Option:				
836.535	Spare battery			1.60

Digital lightweight carbon workshop calipers

Different models are available in many lengths. Calipers can be supplied with for instance extra long measuring jaws, TiN coated or hardened measuring jaws or both measuring jaws moveable. There are also models where special inserts or slide on probes can be used for measuring for instance center distances, grooves or diameters.



NEW

TESA TWIN-Cal digital workshop calipers IP67

New generation IP67 workshop calipers with measuring ranges up to 1000 mm, TESA TWIN-Cal, with an absolute measuring system and a “soft touch” grip. These workshop calipers have a unique connectivity concept TWIN & LINK. All TWIN-Cal workshop calipers are equipped with a data output. Connect the TESA Link Connector (or TWIN-Cap) to the TWIN-Cal for “plug and play” (wireless) data transfer. Hardened stainless steel measuring jaws, with rounded jaw ends for internal and external measurements. Available with or without measuring knives for internal or external measurements.

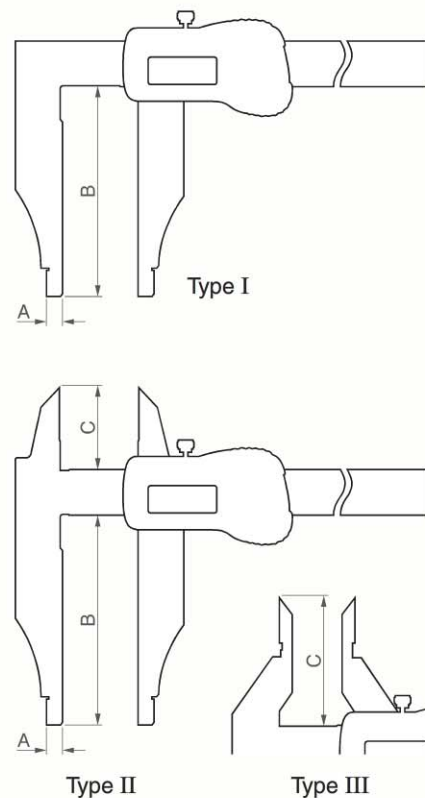
- Measuring range: 0 - 1000 mm.
- Resolution: 0.01 mm.
- mm/inch conversion.
- Digit height: 11 mm.
- Automatic switch-off.
- Reset.
- Hold function.
- Max. measuring speed: approx. 2.5 m/s.
- Locking screw.
- Protection: IP67 (also in combination with data output cable).



- Standard supplied with data output (USB, Digimatic or wireless).
- Delivery in a case with an inspection report and a declaration of conformity.
- Power supply: 1 battery type CR2032.



Item No.	Measuring range/mm	Length/mm			Price EUR
		A	B	C	
Without measuring knives (I):					
783.335	0 - 200	5	80	—	366.00
783.336	0 - 250	5	80	—	395.00
783.337	0 - 300	5	90	—	416.00
783.338	0 - 500	10	150	—	692.00
783.339	0 - 600	10	150	—	856.00
783.340	0 - 800	10	150	—	1,071.00
783.341	0 - 1000	10	150	—	1,335.00
With measuring knives for external measurements (II):					
783.342	0 - 200	5	80	30	392.00
783.343	0 - 250	5	80	37	425.00
783.344	0 - 300	5	90	37	471.00
783.345	0 - 500	10	150	60	782.00
783.346	0 - 600	10	150	60	967.00
783.347	0 - 800	10	150	56	1,210.00
783.348	0 - 1000	10	150	56	1,510.00
With measuring knives for internal measurements (III):					
783.349	0 - 250	5	80	54	508.00
Options:					
495.157	Spare battery				0.50
783.301 ¹	TESA Link Connector USB				118.00
783.302 ¹	TESA Link Connector Digimatic				164.00
783.303 ¹	TESA Link Connector TWIN-Cap				159.00



¹ The TESA Link Connector will replace the battery cover.

HELIOS-PREISSER universal digital calipers

Universal calipers with exchangeable measuring inserts for special purposes. All inserts with M2.5 thread can be used with these calipers. Please see the dial indicator accessories section for these inserts.

- Internal measuring range¹: 15 - 500 mm.
- External measuring range¹: 0 - 500 mm.
- Resolution: 0.01 mm.
- mm/inch conversion.
- ABS/INC switchable.
- Digimatic data output (only 836.569/570).
- On/off switch.
- Reset/preset.
- Hold function.
- Interchangeable measuring inserts:
 - 150 mm: 2 pairs included (ball $\varnothing 5$ mm and planar $\varnothing 4.8$ mm),
 - 300/500 mm: not included.
- Locking screw.
- Stainless steel construction.
- Protection: IP67 (only 836.548).
- Delivered with accurate setting standard 50 mm (only 836.548).
- Delivery in a case.
- Power supply: 1 battery type CR2032.



Item No.	Measuring range/mm internal ¹	Measuring range/mm external ¹	Jaw length mm	Jaw width mm	Weight kg	Price EUR
836.548	15 - 150	0 - 150	40	5	0.7	339.00
836.569	30 - 300	0 - 300	90	12	1.2	561.00
836.570	40 - 500	0 - 500	100	16	2.5	719.00

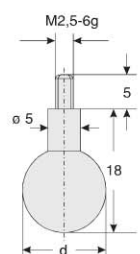
Options:

495.157	Spare battery	0.50
836.119	Digimatic output cable (2 m)	59.00
836.552	USB output cable (2 m) incl. software	66.00
836.571	RS232C output cable (2 m)	46.20

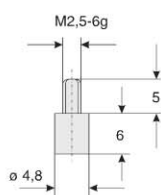


¹ The measuring range can change depending on inserts.

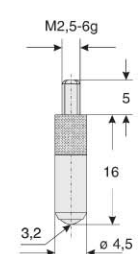
Inserts examples. For more information see the dial indicator accessories section.



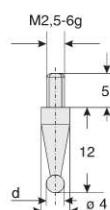
852.426 - 430



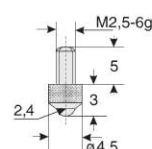
852.431/432



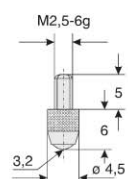
852.406 - 409



852.414 - 425



852.401

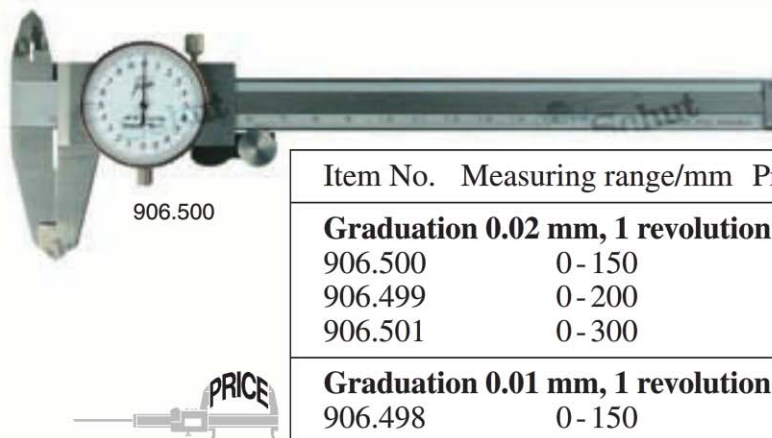


852.402 - 405

Dial calipers

Stainless steel dial calipers with protected rack.

- Measuring range: 0-300 mm.
- Graduation: 0.01 or 0.02 mm.
- 1 pointer revolution = 1 or 2 mm.
- Rotatable dial.
- Thumb wheel.
- DIN 862.



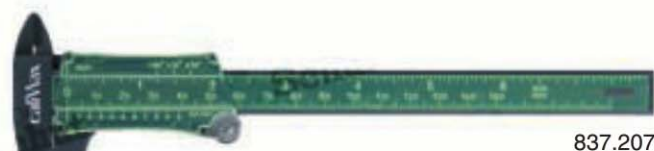
Item No.	Measuring range/mm	Price EUR
Graduation 0.02 mm, 1 revolution = 2 mm:		
906.500	0-150	28.90
906.499	0-200	49.00
906.501	0-300	62.00
Graduation 0.01 mm, 1 revolution = 1 mm:		
906.498	0-150	34.30

High-quality plastic calipers from Switzerland

These modern designed Swiss calipers are made of fiberglass re-enforced plastic, which makes them very firm and light, wear-proof, and resistant to all kinds of chemicals – ideal for the workshop! Each model is equipped with an easy read-out. Combined with the low price a line of very attractive calipers.

For 100 pieces or more the calipers and folding rules are available with prints. This gives you the opportunity to promote your company name or logo in an easy way and is within your own company, as well when used as a business gift, an outstanding marker. For more information about the printing possibilities please contact our sales department.

- Measuring range: 0-150 mm.
- Accuracy: $\pm(0.1+0.001L)$ mm (L in mm).
- Thumb wheel.
- Delivery in a case.



837.207

Vernier caliper

- Vernier: 0.1 mm / 1/64 inch.
- The scale lightens up with minimal light.

Dial caliper

- Graduation: 0.1 mm.
- 1 pointer revolution = 10 mm.
- Rotatable dial, $\varnothing 32$ mm.
- The dial is shockproof and can be set to zero.



837.205

Digital caliper

- Resolution: 0.01 mm.
- mm/inch conversion.
- On/reset switch.
- Off switch.
- Power supply: 1 battery type V357.



837.201



837.209:
set with folding
rule of 1 m

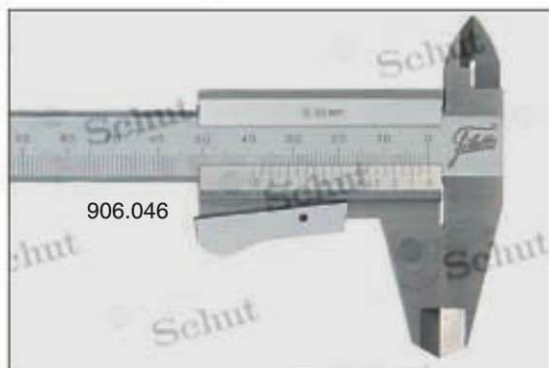
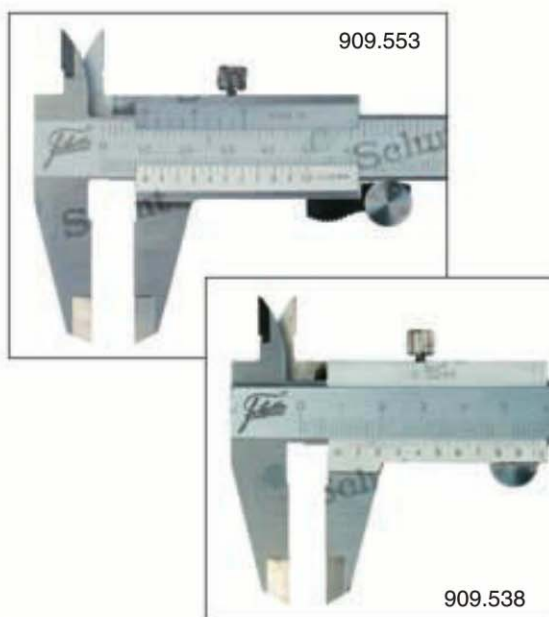
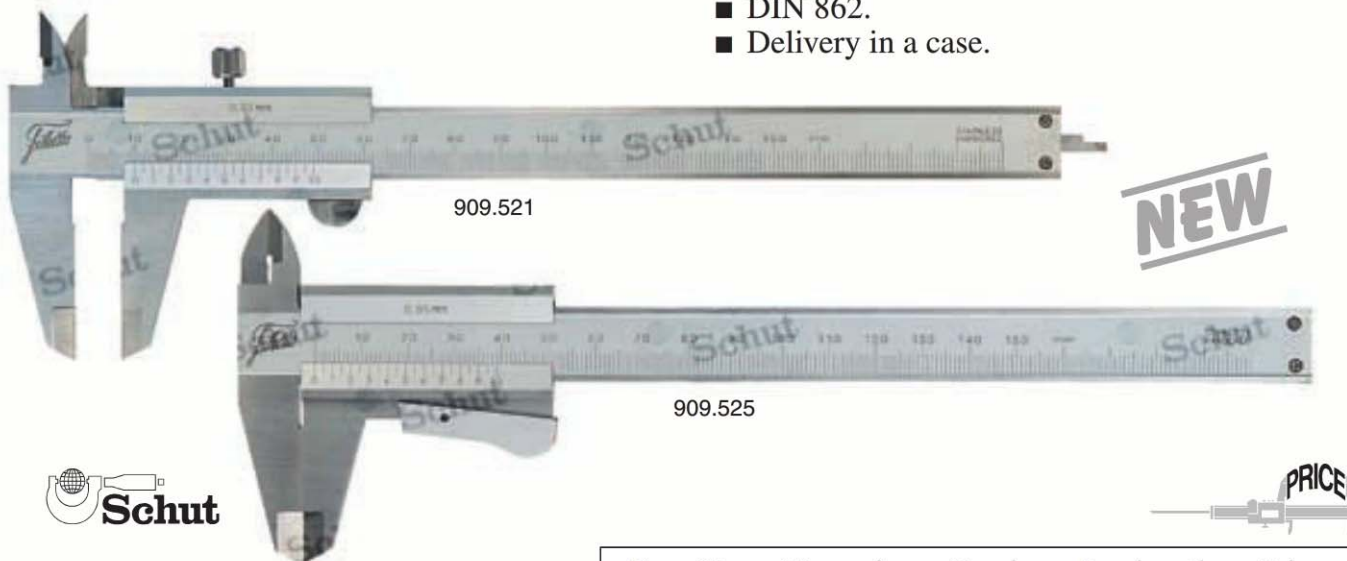
Item No.	Description	Price EUR
837.207	Vernier caliper	12.40
837.205	Dial caliper	18.60
837.209	Set of dial caliper 837.205 with a folding rule of 1 m	21.60
837.201	Digital caliper	55.00
Option:		
836.535	Spare battery	1.60

Calipers

Hardened stainless steel calipers with no-glare chrome finished scale and vernier.

- Measuring range: 0 - 300 mm.
- Vernier: 0.05 or 0.02 mm.
- Raised sliders (except 909.538).

- Locking screw or spring release.
- Flat depth rod.
- Thread table on the back side.
- DIN 862.
- Delivery in a case.



Item No.	Measuring range/mm	Vernier mm	Jaw length mm	Price EUR
Locking screw on top:				
909.541	0 - 150	0.02	40	14.20
909.542	0 - 160	0.02	40	14.80
909.543	0 - 200	0.02	50	19.40
909.544	0 - 300	0.02	62	37.10
Locking screw on top:				
909.520	0 - 100	0.05	30	12.20
909.521	0 - 150	0.05	40	13.90
909.522	0 - 160	0.05	40	15.60
909.523	0 - 200	0.05	50	18.80
909.524	0 - 300	0.05	62	35.20
With thumb wheel (locking screw on top):				
909.553	0 - 150	0.05	40	16.00
909.554	0 - 200	0.05	50	21.40
909.555	0 - 300	0.05	62	40.00
Parallax-free (locking screw on top):				
909.538	0 - 150	0.05	40	26.40
Spring release:				
909.525	0 - 150	0.05	40	14.30
909.526	0 - 160	0.05	40	14.80
909.527	0 - 200	0.05	50	18.80
909.528	0 - 300	0.05	62	35.20
Spring release, left-handed model:				
906.046	0 - 150	0.05	40	20.90
906.047	0 - 150	0.02	40	22.30

Workshop calipers

Hardened stainless steel workshop calipers with no-glare chrome finished scale and vernier.

- Measuring range: 0 - 1500 mm.
- Vernier: 0.02 mm.
- Raised sliders.
- Fine adjustment.
- With measuring knives or rounded jaw ends for internal measurements.
- Locking screws.
- DIN 862.
- Delivery in a case.



906.230



Item No.	Measuring range mm	Internal measurements from/mm	Jaw length mm	Price EUR
With measuring knives for internal measurements:				
906.230	0- 300	–	65	54.00
With rounded jaw ends for internal measurements:				
906.231	0- 300	10	80	69.00
906.233	0- 500	10	100	84.00
906.234	0- 600	10	100	86.00
906.235	0-1000	20	125	301.00
906.236	0-1500	20	125	672.00

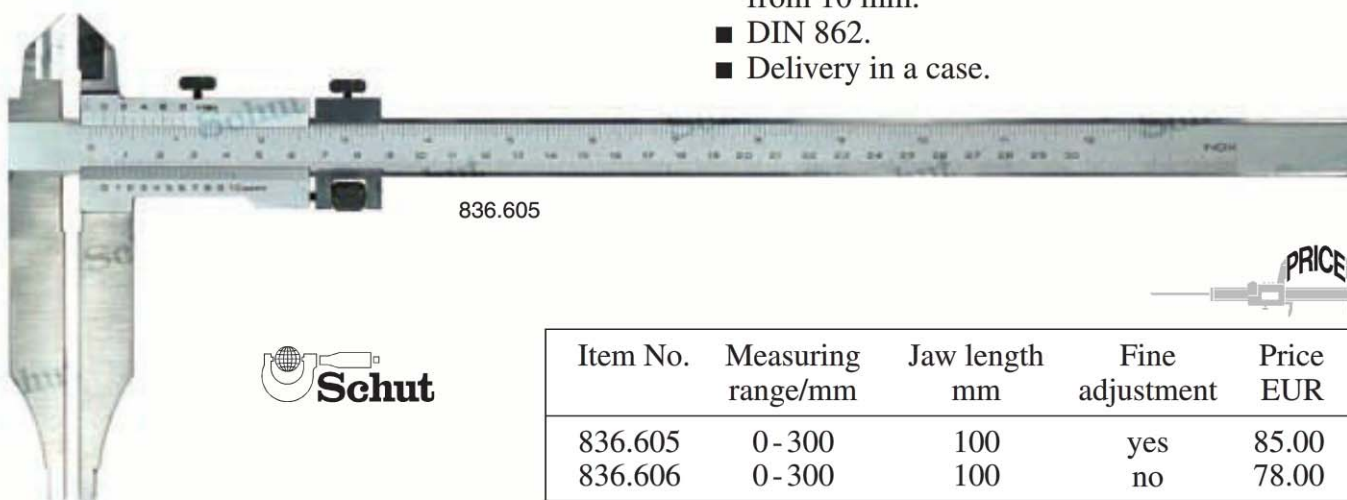


906.233

Workshop calipers with extended jaw lengths

Hardened stainless steel workshop calipers with no-glare chrome finished scale and vernier.

- Measuring range: 0 - 300 mm.
- Vernier: 0.05 mm / 1/128 inch.
- Raised sliders.
- With or without fine adjustment.
- Measuring knives for external measurements.
- Rounded jaw ends for internal measurements from 10 mm.
- DIN 862.
- Delivery in a case.



836.605

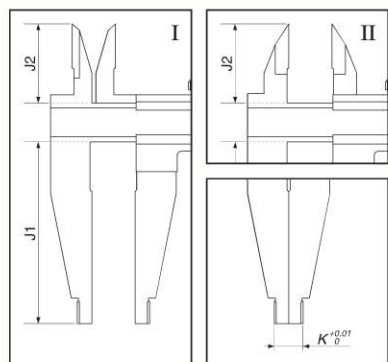


Item No.	Measuring range/mm	Jaw length mm	Fine adjustment	Price EUR
836.605	0 - 300	100	yes	85.00
836.606	0 - 300	100	no	78.00

Workshop calipers

Large and solid, stainless steel calipers with no-glare chrome finished scale and vernier.

- Measuring range: 0- 2000 mm.
- Vernier: 0.02 mm / 1/1000 inch or 0.05 mm / 1/128 inch.
- Fine adjustment.
- With or without measuring knives for internal or external measurements.
- Rounded jaw ends for internal measurements; measuring range ≤ 600 mm: K = 10 mm, measuring range > 600 mm: K = 20 mm.
- DIN 862.
- Delivery in a case with a declaration of conformity.



Vernier 0.05 mm / 1/128 inch

Item No.	Measuring range mm	Length mm			Price EUR
		J1	J2	K	
Without measuring knives:					
909.670	0- 300	90	-	10	83.00
909.620	0- 450	150	-	10	151.00
909.621	0- 500	150	-	10	163.00
909.622	0- 600	150	-	10	175.00
909.623	0- 800	150	-	20	288.00
909.624	0-1000	150	-	20	349.00
909.639	0-1500	200	-	20	872.00
909.640	0-2000	200	-	20	1,188.00
Meas. knives for internal measurements (I):					
909.672	0- 300	90	22	10	112.00
909.632	0- 400	100	46	10	157.00
909.633	0- 500	150	46	10	234.00
909.634	0- 600	150	46	10	280.00
909.635	0- 750	150	54	20	433.00
909.636	0-1000	150	54	20	505.00
909.637	0-1500	200	66	20	1,196.00
909.638	0-2000	200	66	20	1,453.00
Meas. knives for external measurements (II):					
909.674	0- 300	90	22	10	118.00
909.656	0- 400	100	46	10	165.00
909.657	0- 500	150	46	10	247.00
909.658	0- 600	150	46	10	280.00
909.659	0- 750	150	54	20	433.00
909.660	0-1000	150	54	20	530.00
909.661	0-1500	200	66	20	1,255.00
909.662	0-2000	200	66	20	1,526.00

Vernier 0.02 mm / 1/1000 inch

Item No.	Measuring range mm	Length mm			Price EUR
		J1	J2	K	
Without measuring knives:					
909.671	0- 300	90	-	10	83.00
909.615	0- 450	150	-	10	151.00
909.616	0- 500	150	-	10	163.00
909.617	0- 600	150	-	10	175.00
909.618	0- 800	150	-	20	288.00
909.619	0-1000	150	-	20	349.00
909.641	0-1500	200	-	20	872.00
909.642	0-2000	200	-	20	1,188.00
Meas. knives for internal measurements (I):					
909.673	0- 300	90	22	10	112.00
909.625	0- 400	100	46	10	165.00
909.626	0- 500	150	46	10	234.00
909.627	0- 600	150	46	10	280.00
909.628	0- 750	150	55	20	413.00
909.629	0-1000	150	55	20	505.00
909.630	0-1500	200	66	20	1,196.00
909.631	0-2000	200	66	20	1,384.00
Meas. knives for external measurements (II):					
909.675	0- 300	90	22	10	118.00
909.663	0- 400	100	46	10	165.00
909.664	0- 500	150	46	10	246.00
909.665	0- 600	150	46	10	294.00
909.666	0- 750	150	55	20	455.00
909.667	0-1000	150	55	20	530.00
909.668	0-1500	200	66	20	1,255.00
909.669	0-2000	200	66	20	1,453.00

Caliper inspection set

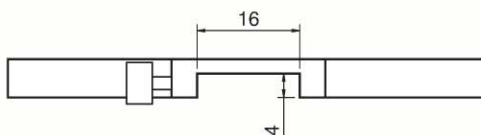
For checking the accuracy of DIN 862 calipers. The set consists of three special steel gauge blocks (30 mm, 41.3 mm and 131.4 mm, ISO 3650 class 1), two steel setting rings ($\varnothing 4$ mm and $\varnothing 25$ mm) and a pair of gloves.



Item No.	Description	Price EUR
909.347	Caliper inspection set	237.00

Depth measuring base for calipers

Universal depth measuring base for stable and accurate depth measurements. Suitable for most of the calipers with a depth rod and a measuring range up to 200 mm. For more information please contact our sales department.



Item No.	Measuring face $l \times w$ /mm	Price EUR
909.156	75 x 6	13.60

Depth measuring bases for calipers

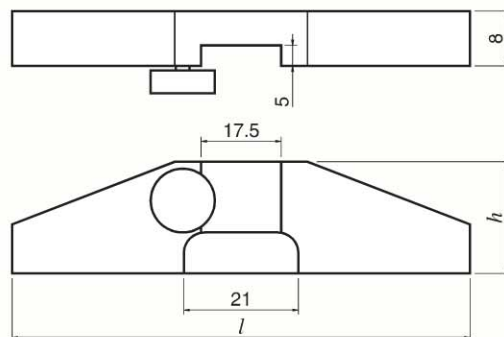
Universal depth measuring bases for stable and accurate depth measurements. Suitable for most of the calipers with a depth rod and a measuring range up to 200 mm. For more information please contact our sales department.



909.386



Item No.	Measuring face $l \times w$ /mm	Height h /mm	Price EUR
909.386	80 x 8	20	16.60
909.387	100 x 8	24	18.50



Depth calipers

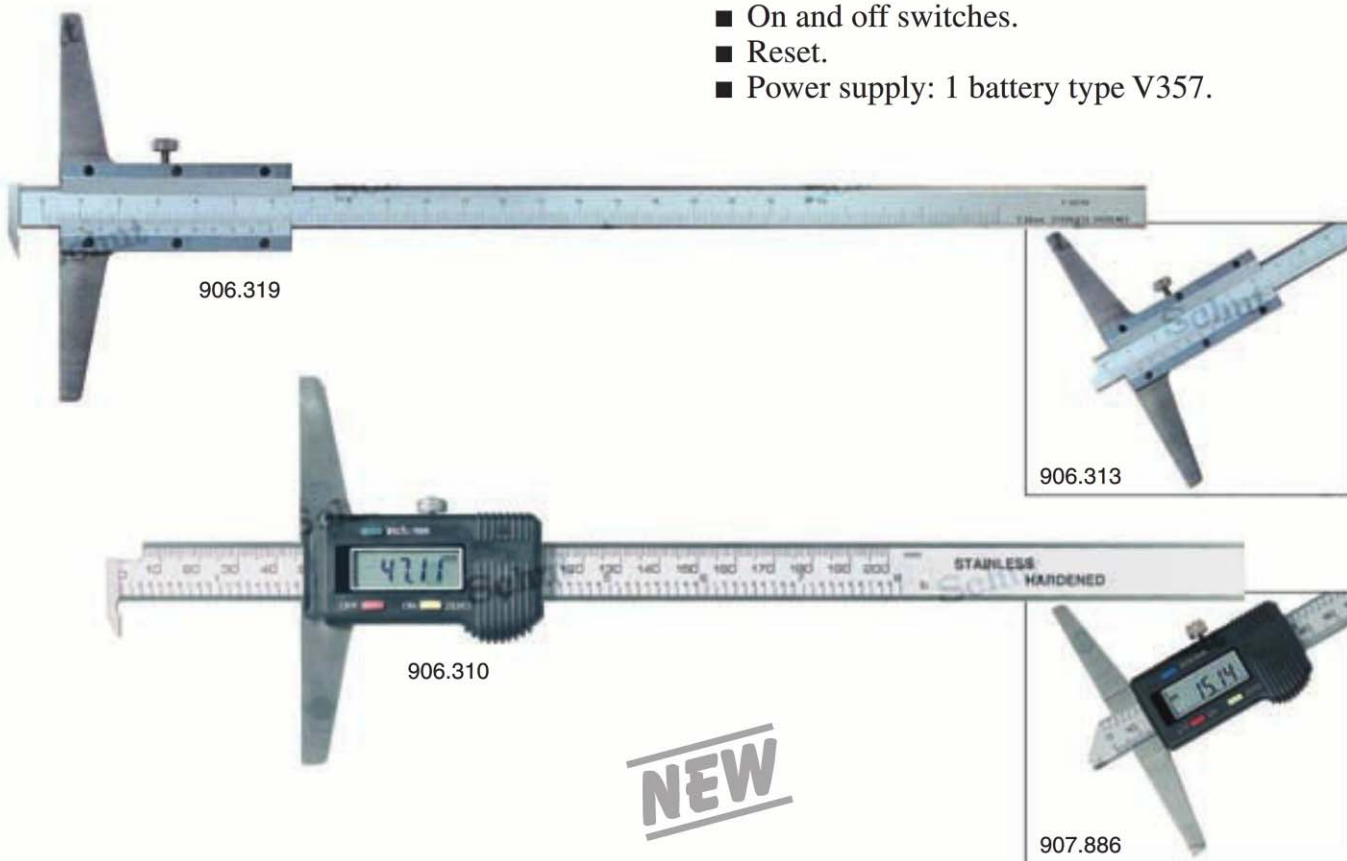
- Measuring range: 0 - 500 mm.
- Analog: vernier 0.02 mm, digital: resolution 0.01 mm.
- With or without hook (8 x 3 mm, l x w).

Analog

- Stainless steel construction.
- No-glare chrome finished scale and vernier.

Digital

- mm/inch conversion.
- On and off switches.
- Reset.
- Power supply: 1 battery type V357.



Analog

Item No.	Measuring range/mm	Base length/mm	Price EUR
Without hook:			
906.314	0 - 150	100	32.50
906.313	0 - 200	100	32.50
906.315	0 - 300	100	35.80
906.317	0 - 500	100	54.00
With hook:			
906.318	0 - 150	100	33.50
906.319	0 - 200	100	33.50
906.321	0 - 300	100	36.90
906.322	0 - 500	100	61.00

Digital

Item No.	Measuring range/mm	Base length/mm	Price EUR
Without hook:			
907.886	0 - 150	100	45.00
907.887	0 - 200	100	45.00
907.888	0 - 300	100	58.00
907.898	0 - 500	120	99.00
With hook:			
906.309	0 - 150	100	47.00
906.310	0 - 200	100	47.00
906.311	0 - 300	100	60.00
906.312	0 - 500	100	101.00
Option:			
836.535	Spare battery		1.60



Depth calipers

Depth calipers with or without hook.

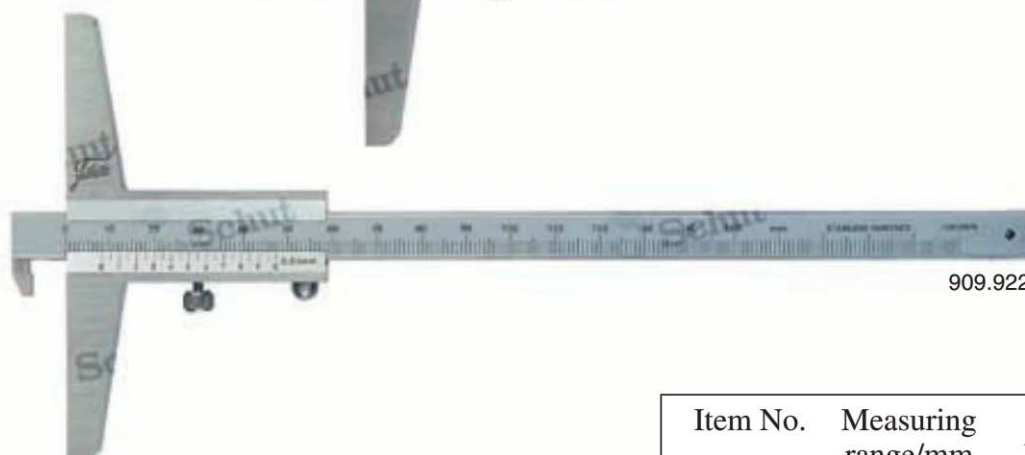
- Measuring range: 0 - 300 mm.
- Vernier: 0.05 mm.
- No-glare chrome finished scale and vernier.
- Stainless steel construction.
- DIN 862.
- Larger measuring ranges available on request.



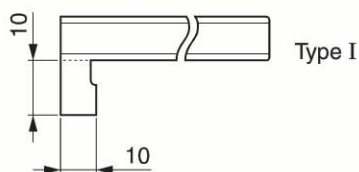
909.910



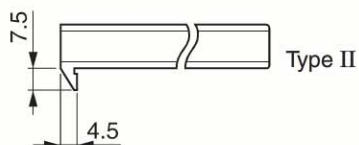
909.916



909.922



Type I



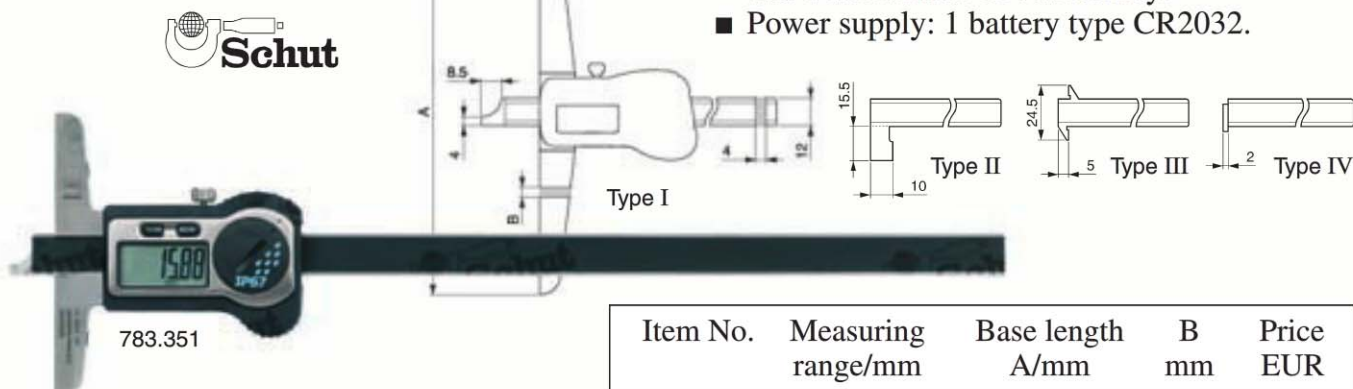
Type II

Item No.	Measuring range/mm	Base length/mm	Price EUR
Without hook:			
909.910	0 - 150	100	29.20
909.911	0 - 200	100	39.80
909.912	0 - 300	100	52.00
With hook (type I):			
909.916	0 - 150	100	45.00
909.917	0 - 200	100	57.00
909.918	0 - 300	100	87.00
With hook (type II):			
909.922	0 - 150	100	45.00
909.923	0 - 200	100	57.00
909.924	0 - 300	100	87.00

TESA TWIN-Cal digital depth calipers IP67

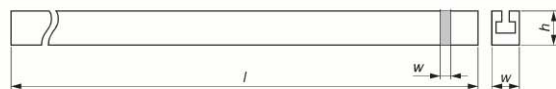
New generation IP67 depth calipers, TESA TWIN-Cal, with an absolute measuring system and a “soft touch” grip. These depth calipers have a unique connectivity concept TWIN & LINK. All TWIN-Cal depth calipers are equipped with a data output. Connect the TESA Link Connector (or TWIN-Cap) to the TWIN-Cal for “plug and play” (wireless) data transfer. Waterproof, hardened stainless steel depth calipers, in different versions of the beam’s measuring face. Suited for use with removable bridges. There is also a small depth gauge available.

- Measuring range: 0- 500 mm.
- Resolution: 0.01 mm.
- mm/inch conversion.
- Digit height: 11 mm.
- Automatic switch-off.
- Reset.
- Max. measuring speed: approx. 2.5 m/s.
- Locking screw.
- Protection: IP67 (also in combination with data output cable).
- Standard supplied with data output (USB, Digimatic or wireless).
- Delivery in a case with an inspection report and a declaration of conformity.
- Power supply: 1 battery type CR2032.

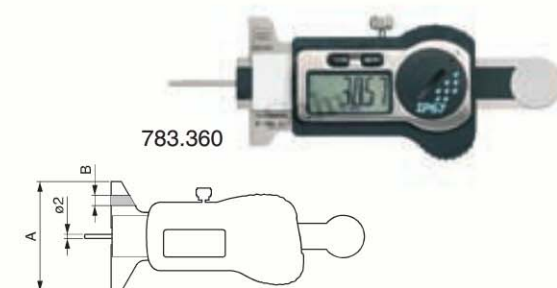


Removable bridges*

Item No.	Meas. face l x w/mm	Height h/mm	Price EUR
782.886	200 x 8	10 \pm 0.005	215.00
782.949	300 x 8	16 \pm 0.005	230.00
782.887	400 x 8	16 \pm 0.005	238.00



* Delivery in a case with clamp device and a declaration of conformity. Conforming to factory standard. Not suited for use with 783.360.



Item No.	Measuring range/mm	Base length A/mm	B mm	Price EUR
Short cut measuring face (I):				
783.350	0-200	100	8	417.00
783.351	0-250	100	8	438.00
783.352	0-300	150	8	462.00
783.353	0-500	150	8	571.00
Measuring face with one hook (II):				
783.354	0-300	150	8	534.00
783.355	0-500	150	8	629.00
Measuring face with two hooks (III):				
783.356	0-300	150	8	667.00
Measuring face with rotary stop (IV):				
783.357	0-250	100	8.5	475.00
783.358	0-350	100	8.5	525.00
783.359	0-500	150	8.5	658.00
Small depth gauge with steel depth rod:				
783.360	0- 25	50	7.4	332.00
Options:				
495.157	Spare battery			0.50
783.301 ¹	TESA Link Connector USB			118.00
783.302 ¹	TESA Link Connector Digimatic			164.00
783.303 ¹	TESA Link Connector TWIN-Cap			159.00

¹ The TESA Link Connector will replace the battery cover.

Digital depth micrometers IP65

Digital depth micrometers with interchangeable, spherical rods or flat rods. With the flat rods mainly flat and spherical surfaces can be measured very accurately. The spherical rods are especially suitable for beveled and hollow surfaces. The high accuracy of the rods makes resetting after exchanging the rods unnecessary. Two models with different base lengths available.

- Measuring range: 0-300 mm.
- Resolution: 0.001 mm.
- mm/inch conversion.
- ABS/INC switchable.
- Automatic switch-off.
- Preset.
- Measuring rods: \varnothing 4.5 mm.
- Locking screw.
- Protection: IP65.
- DIN 863 T2.
- Power supply: 1 battery type V357.



Model with spherical rods especially for hollow and beveled surfaces

Item No.	Price EUR	Item No.	Price EUR	Measuring range/mm	Accuracy mm	Number of rods
Base 63 mm:		Base 101.5 mm:				
909.753	143.00	909.759	150.00	0- 25	± 0.005	1
909.754	157.00	909.760	157.00	0- 50	± 0.005	2
909.755	171.00	909.761	171.00	0-100	± 0.006	4
909.756	185.00	909.762	185.00	0-150	± 0.007	6
909.757	199.00	909.763	199.00	0-200	± 0.008	8
909.758	234.00	909.764	234.00	0-300	± 0.009	12

Model with flat rods especially for flat and spherical surfaces

Item No.	Price EUR	Item No.	Price EUR	Measuring range/mm	Accuracy mm	Number of rods
Base 63 mm:		Base 101.5 mm:				
909.765	150.00	909.771	150.00	0- 25	± 0.005	1
909.766	157.00	909.772	157.00	0- 50	± 0.005	2
909.767	171.00	909.773	171.00	0-100	± 0.006	4
909.768	185.00	909.774	185.00	0-150	± 0.007	6
909.769	199.00	909.775	199.00	0-200	± 0.008	8
909.770	234.00	909.776	234.00	0-300	± 0.009	12

Option

Item No.	Description	Price EUR
836.535	Spare battery	1.60



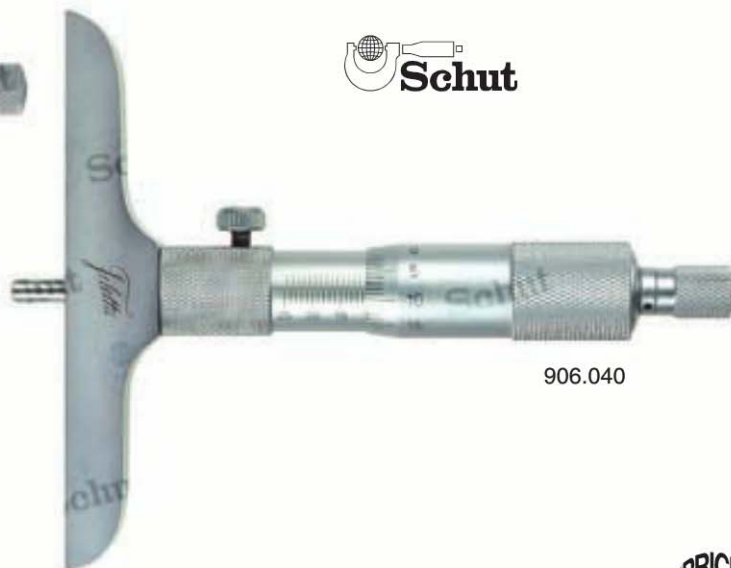
Depth micrometers

Depth micrometers with interchangeable, spherical or flat rods. With the flat rods mainly flat and spherical surfaces can be measured very accurately. The spherical rods are especially suitable for beveled and hollow surfaces. The high accuracy of the rods makes recalibration after exchanging the rods unnecessary. Two models with different base lengths available.

- Measuring range: 0 - 300 mm.
- Graduation: 0.01 mm.
- Measuring rods: \varnothing 4.5 mm.
- Locking screw.
- DIN 863 T2.



906.970



906.040

Model with spherical rods especially for hollow and beveled surfaces

Item No.	Price EUR	Item No.	Price EUR	Measuring range/mm	Accuracy mm	Number of rods
Base 63 mm:		Base 101.5 mm:				
906.964	37.30	906.040	37.30	0 - 25	± 0.005	1
906.965	44.00	906.039	44.00	0 - 50	± 0.005	2
906.966	56.00	906.041	56.00	0 - 100	± 0.006	4
906.967	72.00	906.042	72.00	0 - 150	± 0.007	6
906.968	105.00	906.043	97.00	0 - 200	± 0.008	8
906.969	145.00	906.044	145.00	0 - 300	± 0.009	12

Model with flat rods especially for flat and spherical surfaces

Item No.	Price EUR	Item No.	Price EUR	Measuring range/mm	Accuracy mm	Number of rods
Base 63 mm:		Base 101.5 mm:				
906.970	53.00	906.976	53.00	0 - 25	± 0.005	1
906.971	63.00	906.977	63.00	0 - 50	± 0.005	2
906.972	87.00	906.978	87.00	0 - 100	± 0.006	4
906.973	97.00	906.979	104.00	0 - 150	± 0.007	6
906.974	130.00	906.980	130.00	0 - 200	± 0.008	8
906.975	170.00	906.981	158.00	0 - 300	± 0.009	12