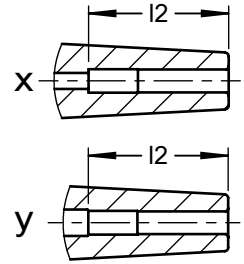
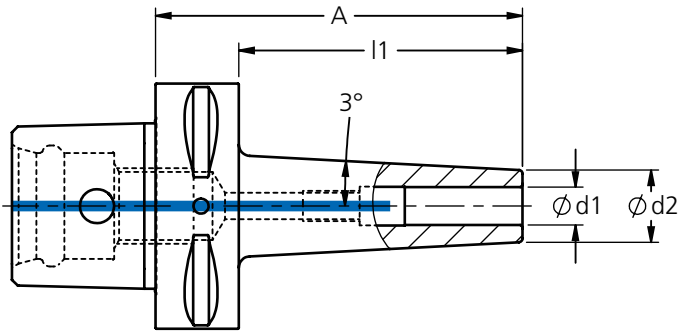


Schrumpffutter PSC-40, schlanke Ausführung 3°

Shrink fit chuck PSC-40, slim execution 3°

Mandrini de frettage PSC-40, exécution mince 3°

Mandriini per calettamento a caldo PSC-40, rastremazione 3°



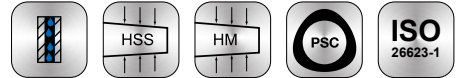
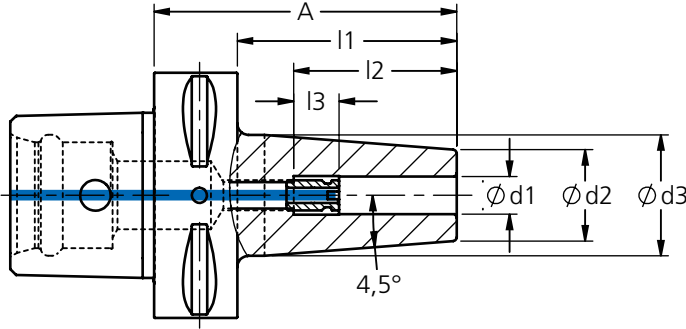
Bestell-Nr. order number No.	PSC	Ø d1	Ø d2	Ø d3	A	l1	l2	x	y	
915 - PSC400350	40	3	11	-	70	50	12		x	G2,5/25.000 oder/or U<1gmm
915 - PSC400375	40	3	11	-	95	75	12		x	
915 - PSC400450	40	4	11	-	70	50	16		x	
915 - PSC400475	40	4	11	-	95	75	16		x	
915 - PSC400550	40	4	13	-	70	50	20		x	
915 - PSC400575	40	4	13	-	95	75	20		x	
915 - PSC400650	40	6	15	-	70	50	36		x	
915 - PSC400675	40	6	15	-	95	75	36		x	
915 - PSC400850	40	8	17	-	70	50	36		x	
915 - PSC400875	40	8	17	-	95	75	36		x	
915 - PSC401050	40	10	19	-	70	50	41	x		
915 - PSC401075	40	10	19	-	95	75	41	x		
915 - PSC401250	40	12	22	-	70	50	47	x		
915 - PSC401650	40	16	27	-	70	50	50	x		
915 - PSC402050	40	20	33	-	70	50	52	x		



Schrumpffutter PSC-50, standard Ausführung 4,5°, inkl. Längeneinstellschraube

Shrink fit chuck PSC-50, standard execution 4,5°, incl. length adjusting screw

Mandrin de frettage PSC-50, exécution 4,5°, vis de réglage axial inclus

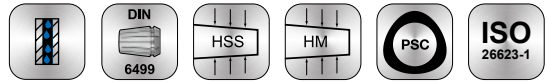
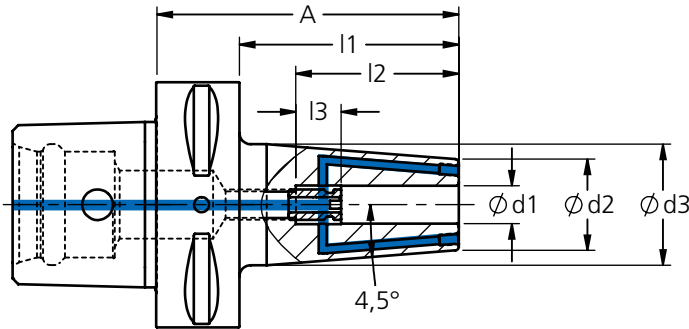
Mandrini per calettamento a caldo PSC-50, rastremazione 4,5°, inclusa vite per regolazione assiale





Bestell-Nr. order number No.	PSC	Ø d1	Ø d2	Ø d3	A	l1	l2	l3		
985 - PSC5006A75	50	6	21	27	75	55	36	10	948-001	G2,5/25.000 oder/or U<1gmm
985 - PSC5008A75	50	8	21	27	75	55	36	10	948-002	
985 - PSC5010A75	50	10	24	32	75	55	41	10	948-003	
985 - PSC5012A75	50	12	24	32	75	55	47	10	948-004	
985 - PSC5014A80	50	14	27	34	80	60	47	10	948-004	
985 - PSC5016A80	50	16	27	34	80	60	50	10	948-004	
985 - PSC5018A80	50	18	33	42	80	60	50	10	948-005	
985 - PSC5020A85	50	20	33	42	85	65	52	10	948-006	
985 - PSC5025A90	50	25	44	50	90	70	58	10	948-006	

Schrumpffutter PSC-50, standard Ausführung 4,5° mit verschließbaren Kühlkanälen, inkl. Längeneinstellschraube

Shrink fit chuck PSC-50, standard execution 4,5° with closeable cooling jets, incl. length adjusting screw
 Mandrin de frettage PSC-50, exécution 4,5° avec canal d'arrosage obturables, vis de réglage axial inclus
 Mandrini per calettamento a caldo PSC-50, rastremazione 4,5° con ugelli di adduzione otturabili, inclusa vite per regolazione assiale



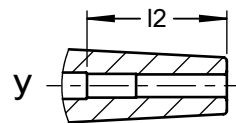
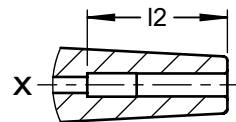
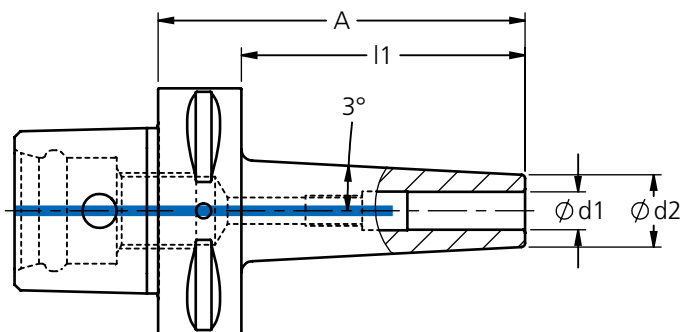
Bestell-Nr. order number No.	PSC	Ø d1	Ø d2	Ø d3	A	l1	l2	l3		
995 - PSC5006A75	50	6	21	27	75	55	36	10	948-001	G2,5/25.000 oder/or U<1gmm
995 - PSC5008A75	50	8	21	27	75	55	36	10	948-002	
995 - PSC5010A75	50	10	24	32	75	55	41	10	948-003	
995 - PSC5012A75	50	12	24	32	75	55	47	10	948-004	
995 - PSC5014A80	50	14	27	34	80	60	47	10	948-004	
995 - PSC5016A80	50	16	27	34	80	60	50	10	948-004	
995 - PSC5018A80	50	18	33	42	80	60	50	10	948-005	
995 - PSC5020A85	50	20	33	42	85	65	52	10	948-006	
995 - PSC5025A90	50	25	44	50	90	70	58	10	948-006	

Schrumpffutter PSC-63, schlanke Ausführung 3°

Shrink fit chuck PSC-63, slim execution 3°

Mandrin de frettage PSC-63, exécution mince 3°

Mandriini per calettamento a caldo PSC-63, rastremazione 3°



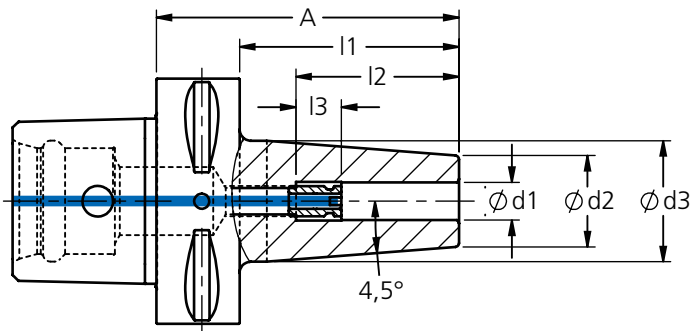
Bestell-Nr. order number No.	PSC	Ø d1	Ø d2	Ø d3	A	l1	l2	x	y	
915 - PSC630450	63	4	11	-	72	50	16		x	G2,5/25.000 oder/or U<1gmm
915 - PSC630475	63	4	11	-	97	75	16		x	
915 - PSC6304100	63	4	11	-	122	100	16		x	
915 - PSC630650	63	6	15	-	72	50	36		x	
915 - PSC630675	63	6	15	-	97	75	36		x	
915 - PSC6306100	63	6	15	-	122	100	36		x	
915 - PSC630850	63	8	17	-	72	50	36		x	
915 - PSC630875	63	8	17	-	97	75	36		x	
915 - PSC6308100	63	8	17	-	122	100	36		x	
915 - PSC631050	63	10	19	-	72	50	41	x		
915 - PSC631075	63	10	19	-	97	75	41	x		
915 - PSC6310100	63	10	19	-	122	100	41	x		
915 - PSC631250	63	12	22	-	72	50	47	x		
915 - PSC631275	63	12	22	-	97	75	47	x		
915 - PSC6312100	63	12	22	-	122	100	47	x		

Schrumpffutter PSC-63, standard Ausführung 4,5°, inkl. Längeneinstellschraube

Shrink fit chuck PSC-63, standard execution 4,5°, incl. length adjusting screw

Mandrin de frettage PSC-63, exécution 4,5°, vis de réglage axial inclus

Mandrini per calettamento a caldo PSC-63, rastremazione 4,5°, inclusa vite per regolazione assiale



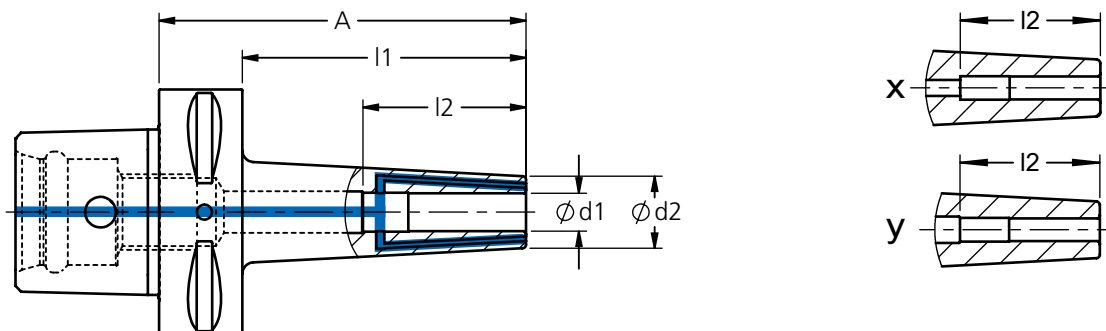
Bestell-Nr. order number No.	PSC	Ø d1	Ø d2	Ø d3	A	l1	l2	l3			
985 - PSC6303A80	63	3	11	15	80	58	12	10	-	G2,5/25.000 oder/or U<1gmm	
985 - PSC6304A80	63	4	14	22	80	58	16	10	-		
985 - PSC6305A80	63	5	16	22	80	58	20	10	-		
985 - PSC6306A80	63	6	21	27	80	58	36	10	948-001		
985 - PSC6306A120	63	6	21	27	120	98	36	10	948-001		
985 - PSC6308A80	63	8	21	27	80	58	36	10	948-002		
985 - PSC6308A120	63	8	21	27	120	98	36	10	948-002		
985 - PSC6310A80	63	10	24	32	80	58	41	10	948-003		
985 - PSC6310A120	63	10	24	32	120	98	41	10	948-003		
985 - PSC6312A80	63	12	24	32	80	58	47	10	948-004		
985 - PSC6312A120	63	12	24	32	120	98	47	10	948-004		
985 - PSC6314A85	63	14	27	34	85	63	47	10	948-004		
985 - PSC6314A120	63	14	27	34	120	98	47	10	948-004		
985 - PSC6316A85	63	16	27	34	85	63	50	10	948-004		
985 - PSC6316A120	63	16	27	34	120	98	50	10	948-005		
985 - PSC6318A85	63	18	33	42	85	63	50	10	948-005		
985 - PSC6318A120	63	18	33	42	120	98	50	10	948-005		
985 - PSC6320A85	63	20	33	42	85	63	52	10	948-006		
985 - PSC6320A120	63	20	33	42	120	98	52	10	948-006		
985 - PSC6325A90	63	25	44	53	90	68	58	10	948-006		
985 - PSC6332A95	63	32	44	53	95	73	62	10	948-006		


Schrumpffutter PSC-63, schlanke Ausführung 3° mit 3 Kühlkanälen Ø1mm

Shrink fit chuck PSC-63, slim execution 3° with 3 cooling jets

Mandrin de frettage PSC-63, exécution mince 3° avec 3 canal d'arrosage Ø1mm

Mandriani per calettamento a caldo PSC-63, rastremazione 3° con N°3 ugelli di adduzione Ø1mm



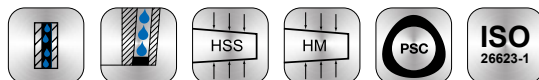
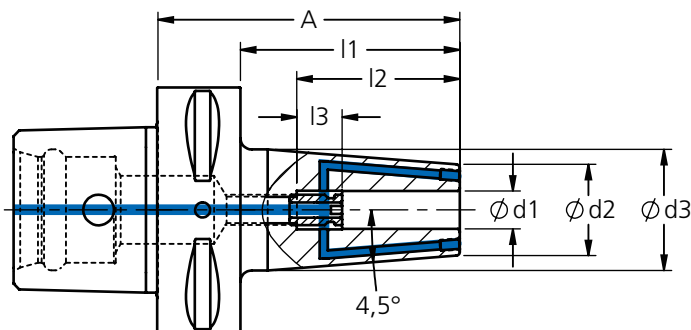
Bestell-Nr. order number No.	PSC	Ø d1	Ø d2	Ø d3	A	l1	l2	x	y		
996 - PSC630450	63	4	11	-	72	50	16		x	G2,5/25.000 oder/or U<1gmm	
996 - PSC630475	63	4	11	-	97	75	16		x		
996 - PSC6304100	63	4	11	-	122	100	16		x		
996 - PSC630650	63	6	15	-	72	50	36		x		
996 - PSC630675	63	6	15	-	97	75	36		x		
996 - PSC6306100	63	6	15	-	122	100	36		x		
996 - PSC630850	63	8	17	-	72	50	36		x		
996 - PSC630875	63	8	17	-	97	75	36		x		
996 - PSC6308100	63	8	17	-	122	100	36		x		
996 - PSC631050	63	10	19	-	72	50	41	x			
996 - PSC631075	63	10	19	-	97	75	41	x			
996 - PSC6310100	63	10	19	-	122	100	41	x			
996 - PSC631250	63	12	22	-	72	50	47	x			
996 - PSC631275	63	12	22	-	97	75	47	x			
996 - PSC6312100	63	12	22	-	122	100	47	x			



Schrumpffutter PSC-63, standard Ausführung 4,5° mit verschließbaren Kühlkanälen, inkl. Längeneinstellschraube

Shrink fit chuck PSC-63, standard execution 4,5° with closeable cooling jets, incl. length adjusting screw

Mandrin de frettage PSC-63, exécution 4,5° avec canal d'arrosage obturables, vis de réglage axial inclus

Mandri per calettamento a caldo PSC-63, rastremazione 4,5° con ugelli di adduzione otturabili, inclusa vite per regolazione assiale



Bestell-Nr. order number No.	PSC	Ø d1	Ø d2	Ø d3	A	l1	l2	l3		
995 - PSC6303A80	63	3	11	15	80	58	12	10	-	G2,5/25.000 oder/or U<1gmm
995 - PSC6304A80	63	4	14	22	80	58	16	10	-	
995 - PSC6305A80	63	5	16	22	80	58	20	10	-	
995 - PSC6306A80	63	6	21	27	80	58	36	10	948-001	
995 - PSC6306A120	63	6	21	27	120	98	36	10	948-001	
995 - PSC6308A80	63	8	21	27	80	58	36	10	948-002	
995 - PSC6308A120	63	8	21	27	120	98	36	10	948-002	
995 - PSC6310A80	63	10	24	32	80	58	41	10	948-003	
995 - PSC6310A120	63	10	24	32	120	98	41	10	948-003	
995 - PSC6312A80	63	12	24	32	80	58	47	10	948-004	
995 - PSC6312A120	63	12	24	32	120	98	47	10	948-004	
995 - PSC6314A85	63	14	27	34	85	63	47	10	948-004	
995 - PSC6314A120	63	14	27	34	120	98	47	10	948-004	
995 - PSC6316A85	63	16	27	34	85	63	50	10	948-004	
995 - PSC6316A120	63	16	27	34	120	98	50	10	948-005	
995 - PSC6318A85	63	18	33	42	85	63	50	10	948-005	
995 - PSC6318A120	63	18	33	42	120	98	50	10	948-005	
995 - PSC6320A85	63	20	33	42	85	63	52	10	948-006	
995 - PSC6320A120	63	20	33	42	120	98	52	10	948-006	
995 - PSC6325A90	63	25	44	53	90	68	58	10	948-006	