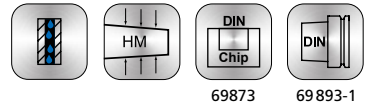
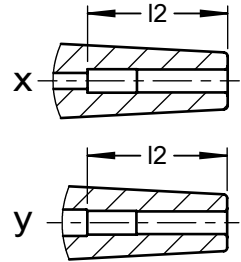
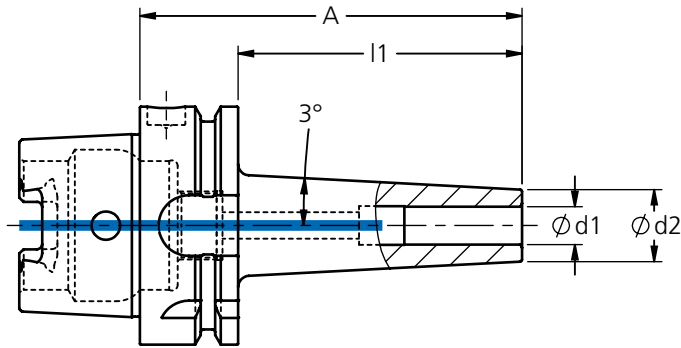


Schrumpffutter HSK-A63, schlanke Ausführung 3°

Shrink fit chuck HSK-A63, slim execution 3°

Mandrin de frettage HSK-A63, exécution mince 3°

Mandrini per calettamento a caldo HSK-A63, rastremazione 3°



69873

69893-1

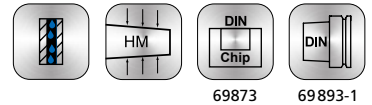
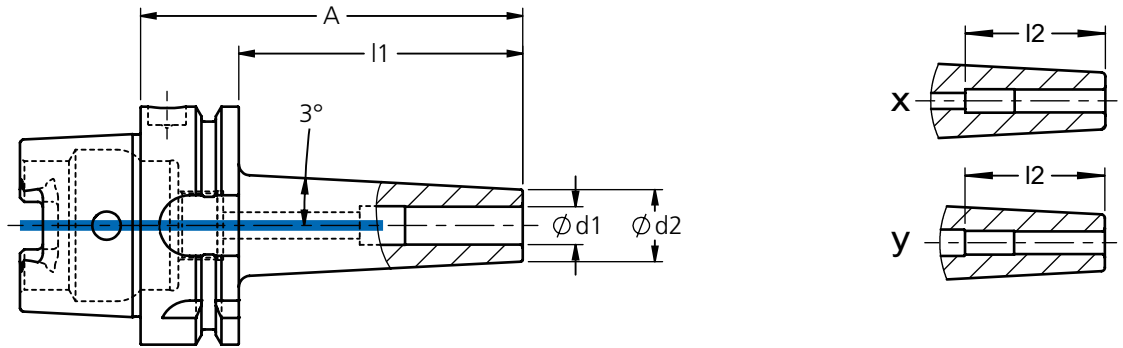
Bestell-Nr. order number No.	HSK	Ø d1	Ø d2	Ø d3	A	l1	l2	x	y	
915 - A630350	A63	3	11	-	76	50	12		x	G2,5/25.000 oder/or U<1gmm
915 - A630375	A63	3	11	-	101	75	12		x	
915 - A6303100	A63	3	11	-	126	100	12		x	
915 - A6303150	A63	3	11	-	176	150	12		x	
915 - A6303200	A63	3	11	-	226	200	12		x	
915 - A6303300	A63	3	11	-	326	300	12		x	
915 - A630450	A63	4	11	-	76	50	16		x	
915 - A630475	A63	4	11	-	101	75	16		x	
915 - A6304100	A63	4	11	-	126	100	16		x	
915 - A6304150	A63	4	11	-	176	150	16		x	
915 - A6304200	A63	4	11	-	226	200	16		x	
915 - A6304300	A63	4	11	-	326	300	16		x	
915 - A630550	A63	5	13	-	76	50	20	x		
915 - A630575	A63	5	13	-	101	75	20		x	
915 - A6305100	A63	5	13	-	126	100	20		x	
915 - A6305150	A63	5	13	-	176	150	20	x		
915 - A6305200	A63	5	13	-	226	200	20	x		
915 - A630650	A63	6	15	-	76	50	36	x		
915 - A630675	A63	6	15	-	101	75	36		x	
915 - A6306100	A63	6	15	-	126	100	36		x	
915 - A6306125	A63	6	15	-	151	125	36		x	
915 - A6306150	A63	6	15	-	176	150	36		x	
915 - A6306175	A63	6	15	-	201	175	36		x	
915 - A6306200	A63	6	15	-	226	200	36		x	
915 - A6306250	A63	6	15	-	276	250	36	x		
915 - A6306300	A63	6	15	-	326	300	36	x		
915 - A630850	A63	8	17	-	76	50	36	x		
915 - A630875	A63	8	17	-	101	75	36		x	
915 - A6308100	A63	8	17	-	126	100	36		x	
915 - A6308125	A63	8	17	-	151	125	36		x	
915 - A6308150	A63	8	17	-	176	150	36		x	
915 - A6308175	A63	8	17	-	201	175	36		x	
915 - A6308200	A63	8	17	-	226	200	36		x	
915 - A6308250	A63	8	17	-	276	250	36	x		
915 - A6308300	A63	8	17	-	326	300	36	x		
915 - A631050	A63	10	19	-	76	50	41	x		
915 - A631075	A63	10	19	-	101	75	41	x		

Schrumpfutter HSK-A63, schlanke Ausführung 3°

Shrink fit chuck HSK-A63, slim execution 3°

Mandrin de frettage HSK-A63, exécution mince 3°

Mandriin per calettamento a caldo HSK-A63, rastremazione 3°



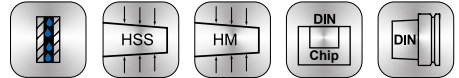
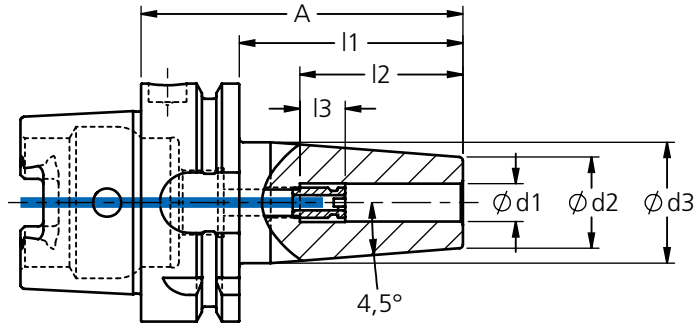
Bestell-Nr. order number No.	HSK	Ø d1	Ø d2	Ø d3	A	l1	l2	x	y	
915 - A6310100	A63	10	19	-	126	100	41	x		G2,5/25.000 oder/or U<1gmm
915 - A6310125	A63	10	19	-	151	125	41	x		
915 - A6310150	A63	10	19	-	176	150	41	x		
915 - A6310175	A63	10	19	-	201	175	41	x		
915 - A6310200	A63	10	19	-	226	200	41	x		
915 - A6310250	A63	10	19	-	251	250	41	x		
915 - A6310300	A63	10	19	-	326	300	41	x		
915 - A631250	A63	12	22	-	76	50	47	x		
915 - A631275	A63	12	22	-	101	75	47	x		
915 - A6312100	A63	12	22	-	126	100	47	x		
915 - A6312125	A63	12	22	-	151	125	47	x		
915 - A6312150	A63	12	22	-	176	150	47	x		
915 - A6312200	A63	12	22	-	226	200	47	x		
915 - A6312250	A63	12	22	-	276	250	47	x		
915 - A6312300	A63	12	22	-	326	300	47	x		
915 - A631450	A63	14	24	-	76	50	47	x		
915 - A6314100	A63	14	24	-	126	100	47	x		
915 - A6314150	A63	14	24	-	176	150	47	x		
915 - A6314200	A63	14	24	-	226	200	47	x		
915 - A631660	A63	16	27	-	86	60	50	x		
915 - A631675	A63	16	27	-	101	75	50	x		
915 - A6316100	A63	16	27	-	126	100	50	x		
915 - A6316150	A63	16	27	-	176	150	50	x		
915 - A6316200	A63	16	27	-	226	200	50	x		
915 - A6316250	A63	16	27	-	276	250	50	x		
915 - A6316300	A63	16	27	-	326	300	50	x		
915 - A631865	A63	18	30	-	91	65	50	x		
915 - A6318100	A63	18	30	-	126	100	50	x		
915 - A632065	A63	20	33	-	91	65	52	x		
915 - A6320100	A63	20	33	-	126	100	52	x		
915 - A6320125	A63	20	33	-	151	125	52	x		
915 - A6320150	A63	20	33	-	176	150	52	x		
915 - A6320200	A63	20	33	-	226	200	52	x		
915 - A6320250	A63	20	33	-	276	250	52	x		
915 - A6320300	A63	20	33	-	326	300	52	x		

Schrumpffutter HSK-A63, standard Ausführung 4,5°, inkl. Längeneinstellschraube

Shrink fit chuck HSK-A63, standard execution 4,5°, incl. length adjusting screw

Mandrin de frettage HSK-A63, exécution 4,5°, vis de réglage axial inclus

Mandri per calettamento a caldo HSK-A63, rastremazione 4,5°, inclusa vite per regolazione assiale



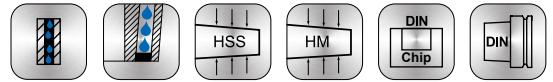
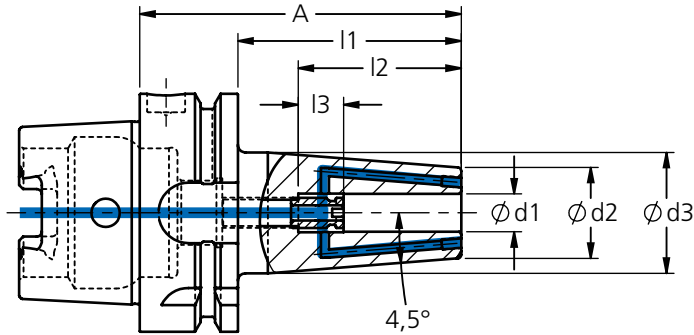
69873

69893-1

Bestell-Nr. order number No.	HSK	Ø d1	Ø d2	Ø d3	A	l1	l2	l3		
985 - A6314A75	A63	14	27	34	75	49	47	10	948-004	G2,5/25.000 oder/or U<1gmm
985 - A6314A90	A63	14	27	34	90	64	47	10	948-004	
985 - A6314A120	A63	14	27	34	120	94	47	10	948-004	
985 - A6314A160	A63	14	27	34	160	134	47	10	948-004	
985 - A6316A75	A63	16	27	34	75	49	50	10	948-005	
985 - A6316A95	A63	16	27	34	95	69	50	10	948-005	
985 - A6316A120	A63	16	27	34	120	94	50	10	948-005	
985 - A6316A160	A63	16	27	34	160	134	50	10	948-005	
985 - A6316A200	A63	16	27	34	200	174	50	10	948-005	
985 - A6318A95	A63	18	33	42	95	69	50	10	948-005	
985 - A6318A120	A63	18	33	42	120	94	50	10	948-005	
985 - A6318A160	A63	18	33	42	160	134	50	10	948-005	
985 - A6320A100	A63	20	33	42	100	74	52	10	948-006	
985 - A6320A120	A63	20	33	42	120	94	52	10	948-006	
985 - A6320A160	A63	20	33	42	160	134	52	10	948-006	
985 - A6320A200	A63	20	33	42	200	174	52	10	948-006	
985 - A6322A100	A63	22	33	42	100	74	52	10	948-006	
985 - A6325A115	A63	25	44	53	115	89	58	10	948-006	
985 - A6325A160	A63	25	44	53	160	134	58	10	948-006	
985 - A6325A200	A63	25	44	53	200	174	58	10	948-006	
985 - A6332A120	A63	32	44	53	120	94	62	10	948-006	
985 - A6332A160	A63	32	44	53	160	134	62	10	948-006	



Schrumpffutter HSK-A63 Ausführung 4,5° mit verschließbaren Kühlkanälen, inklusive Längeneinstellschraube

Shrink fit chuck HSK-A63 execution 4,5° with closeable cooling jets, including length adjusting screw
 Mandrin de frettage HSK-A63, exécution 4,5° avec canal d'arrosage obturables, vis de réglage axial inclus
 Mandrini per calettamento a caldo HSK-A63, rastremazione 4,5° con ugelli di adduzione otturabili, inclusa vite per regolazione assiale



69873

69893-1

Bestell-Nr. order number No.	HSK	Ø d1	Ø d2	Ø d3	A	l1	l2	l3		
995 - A6303A80	A63	3	11	15	80	54	12	-	-	
995 - A6303A120	A63	3	11	15	120	94	12	-	-	
995 - A6303A160	A63	3	11	15	160	134	12	-	-	
995 - A6304A80	A63	4	14	22	80	54	16	-	-	
995 - A6304A120	A63	4	14	22	120	94	16	-	-	
995 - A6304A160	A63	4	14	22	160	134	16	-	-	
995 - A6305A80	A63	5	16	22	80	54	20	-	-	
995 - A6305A120	A63	5	16	22	120	94	20	-	-	
995 - A6305A160	A63	5	16	22	160	134	20	-	-	
995 - A6306A80	A63	6	21	27	80	54	36	10	948-001	
995 - A6306A120	A63	6	21	27	120	94	36	10	948-001	
995 - A6306A160	A63	6	21	27	160	134	36	10	948-001	
995 - A6308A80	A63	8	21	27	80	54	36	10	948-002	
995 - A6308A120	A63	8	21	27	120	94	36	10	948-002	
995 - A6308A160	A63	8	21	27	160	134	36	10	948-002	
995 - A6310A85	A63	10	24	32	85	59	41	10	948-003	
995 - A6310A120	A63	10	24	32	120	94	41	10	948-003	
995 - A6310A160	A63	10	24	32	160	134	41	10	948-003	
995 - A6312A90	A63	12	24	32	90	64	47	10	948-004	
995 - A6312A120	A63	12	24	32	120	94	47	10	948-004	
995 - A6312A160	A63	12	24	32	160	134	47	10	948-004	
995 - A6314A90	A63	14	27	34	90	64	47	10	948-004	
995 - A6314A120	A63	14	27	34	120	94	47	10	948-004	
995 - A6316A95	A63	16	27	34	95	69	50	10	948-005	
995 - A6316A120	A63	16	27	34	120	94	50	10	948-005	
995 - A6318A95	A63	18	33	42	95	69	50	10	948-005	
995 - A6318A120	A63	18	33	42	120	94	50	10	948-005	
995 - A6320A100	A63	20	33	42	100	74	52	10	948-006	
995 - A6320A120	A63	20	33	42	120	94	52	10	948-006	
995 - A6325A115	A63	25	44	53	115	89	58	10	948-006	

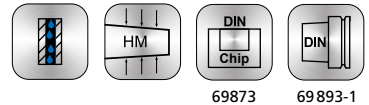
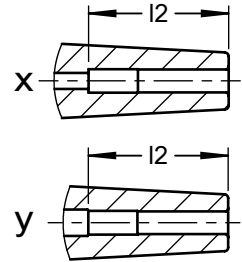
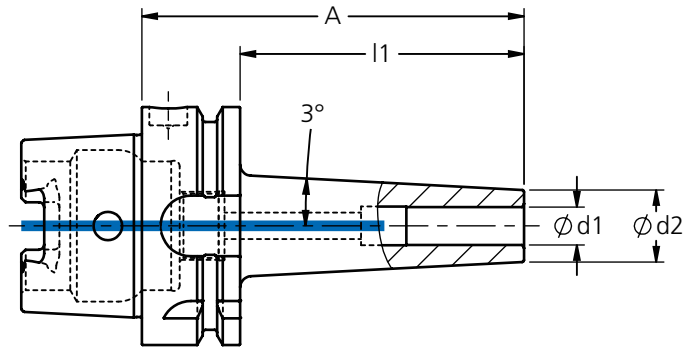
G2,5/25.000
oder/or
U<1gmm

Schrumpffutter HSK-A80, schlanke Ausführung 3°

Shrink fit chuck HSK-A80, slim execution 3°


Mandrin de frettage HSK-A80, exécution mince 3°

Mandrini per calettamento a caldo HSK-A80, rastremazione 3°



69873

69893-1

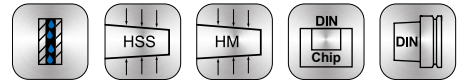
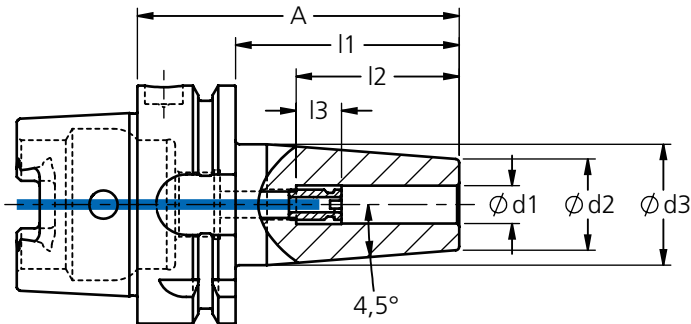
Bestell-Nr. order number No.	HSK	Ø d1	Ø d2	Ø d3	A	l1	l2	x	y	
915 - A800450	A80	4	11	-	76	50	16			G2,5/15.000
915 - A800475	A80	4	11	-	101	75	16			
915 - A8004100	A80	4	11	-	126	100	16			
915 - A8004150	A80	4	11	-	176	150	16			
915 - A8004200	A80	4	11	-	226	200	16			
915 - A800650	A80	6	15	-	76	50	36	x		
915 - A800675	A80	6	15	-	101	75	36			
915 - A8006100	A80	6	15	-	126	100	36			
915 - A8006150	A80	6	15	-	176	150	36			
915 - A8006200	A80	6	15	-	226	200	36			
915 - A8006300	A80	6	15	-	326	300	36	x		
915 - A800850	A80	8	17	-	76	50	36	x		
915 - A800875	A80	8	17	-	101	75	36			
915 - A8008100	A80	8	17	-	126	100	36			
915 - A8008150	A80	8	17	-	176	150	36			
915 - A8008200	A80	8	17	-	226	200	36			
915 - A801050	A80	10	19	-	76	50	41	x		
915 - A801075	A80	10	19	-	101	75	41			
915 - A8010100	A80	10	19	-	126	100	41			
915 - A8010150	A80	10	19	-	176	150	41			
915 - A8010200	A80	10	19	-	226	200	41			
915 - A801250	A80	12	22	-	76	50	47	x		
915 - A801275	A80	12	22	-	101	75	47	x		
915 - A8012100	A80	12	22	-	126	100	47	x		
915 - A8012150	A80	12	22	-	176	150	47	x		
915 - A8012200	A80	12	22	-	226	200	47	x		
915 - A801450	A80	14	24	-	76	50	47	x		
915 - A801660	A80	16	27	-	86	60	50	x		
915 - A8016100	A80	16	27	-	126	100	50	x		
915 - A8016150	A80	16	27	-	176	150	50	x		
915 - A8016200	A80	16	27	-	226	200	50	x		
915 - A801865	A80	18	30	-	91	65	50	x		
915 - A802065	A80	20	33	-	91	65	52	x		
915 - A8020100	A80	20	33	-	126	100	52	x		
915 - A8020150	A80	20	33	-	176	150	52	x		
915 - A8020200	A80	20	33	-	226	200	52	x		

Schrumpffutter HSK-A100, standard Ausführung 4,5°, inkl. Längeneinstellschraube

Shrink fit chuck HSK-A100, standard execution 4,5°, incl. length adjusting screw



Mandrin de frettage HSK-A100, exécution 4,5°, vis de réglage axial inclus

Mandrini per calettamento a caldo HSK-A100, rastremazione 4,5°, inclusa vite per regolazione assiale



69873

69893-1

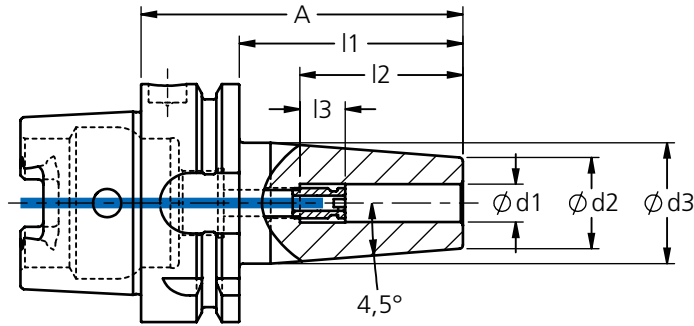
Bestell-Nr. order number No.	HSK	Ø d1	Ø d2	Ø d3	A	l1	l2	l3		
985 - A10003A120	A100	3	11	15	120	91	12	-	-	G2,5/15.000
985 - A10004A85	A100	4	14	22	85	56	16	-	-	
985 - A10004A120	A100	4	14	22	120	91	16	-	-	
985 - A10005A85	A100	5	16	22	85	56	20	-	-	
985 - A10006A85	A100	6	21	27	85	56	36	10	948-001	
985 - A10006A120	A100	6	21	27	120	91	36	10	948-001	
985 - A10006A160	A100	6	21	27	160	131	36	10	948-001	
985 - A10006A200	A100	6	21	27	200	171	36	10	948-001	
985 - A10006A250	A100	6	21	27	250	221	36	10	948-001	
985 - A10008A85	A100	8	21	27	85	56	36	10	948-002	
985 - A10008A120	A100	8	21	27	120	91	36	10	948-002	
985 - A10008A160	A100	8	21	27	160	131	36	10	948-002	
985 - A10008A200	A100	8	21	27	200	171	36	10	948-002	
985 - A10008A250	A100	8	21	27	250	221	36	10	948-002	
985 - A10010A90	A100	10	24	32	90	61	41	10	948-003	
985 - A10010A120	A100	10	24	32	120	91	41	10	948-003	
985 - A10010A160	A100	10	24	32	160	131	41	10	948-003	
985 - A10010A200	A100	10	24	32	200	171	41	10	948-003	
985 - A10010A250	A100	10	24	32	250	221	41	10	948-003	
985 - A10012A95	A100	12	24	32	95	66	47	10	948-004	
985 - A10012A120	A100	12	24	32	120	91	47	10	948-004	
985 - A10012A160	A100	12	24	32	160	131	47	10	948-004	
985 - A10012A200	A100	12	24	32	200	171	47	10	948-004	
985 - A10012A250	A100	12	24	32	250	221	47	10	948-004	
985 - A10014A95	A100	14	27	34	95	66	47	10	948-004	
985 - A10014A120	A100	14	27	34	120	91	47	10	948-004	
985 - A10014A160	A100	14	27	34	160	131	47	10	948-004	
985 - A10014A200	A100	14	27	34	200	171	47	10	948-004	
985 - A10014A250	A100	14	27	34	250	221	47	10	948-004	
985 - A10016A100	A100	16	27	34	100	71	50	10	948-005	
985 - A10016A120	A100	16	27	34	120	91	50	10	948-005	
985 - A10016A160	A100	16	27	34	160	131	50	10	948-005	
985 - A10016A200	A100	16	27	34	200	171	50	10	948-005	
985 - A10016A250	A100	16	27	34	250	221	50	10	948-005	

Schrumpfutter HSK-A100, standard Ausführung 4,5°, inkl. Längeneinstellschraube

Shrink fit chuck HSK-A100, standard execution 4,5°, incl. length adjusting screw



Mandrin de frettage HSK-A100, exécution 4,5°, vis de réglage axial inclus

Mandri per calettamento a caldo HSK-A100, rastremazione 4,5°, inclusa vite per regolazione assiale



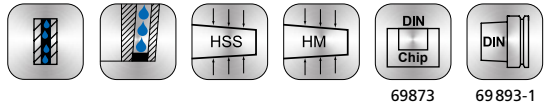
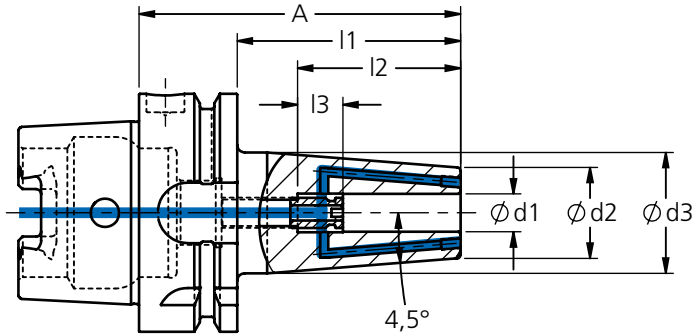
69873

69893-1

Bestell-Nr. order number No.	HSK	Ø d1	Ø d2	Ø d3	A	l1	l2	l3		
985 - A10018A100	A100	18	33	42	100	71	50	10	948-005	G2,5/15.000
985 - A10018A120	A100	18	33	42	120	91	50	10	948-005	
985 - A10018A160	A100	18	33	42	160	131	50	10	948-005	
985 - A10018A200	A100	18	33	42	200	171	50	10	948-005	
985 - A10018A250	A100	18	33	42	250	221	50	10	948-005	
985 - A10020A105	A100	20	33	42	105	76	52	10	948-006	
985 - A10020A120	A100	20	33	42	120	91	52	10	948-006	
985 - A10020A160	A100	20	33	42	160	131	52	10	948-006	
985 - A10020A200	A100	20	33	42	200	171	52	10	948-006	
985 - A10020A250	A100	20	33	42	250	221	52	10	948-006	
985 - A10025A115	A100	25	44	53	115	86	58	10	948-006	
985 - A10025A160	A100	25	44	53	160	131	58	10	948-006	
985 - A10025A200	A100	25	44	53	200	171	58	10	948-006	
985 - A10032A120	A100	32	44	53	120	91	62	10	948-006	
985 - A10032A160	A100	32	44	53	160	131	62	10	948-006	

Schrumpffutter HSK-A100 Ausführung 4,5° mit verschließbaren Kühlkanälen, inklusive Längeneinstellschraube

Shrink fit chuck HSK-A100 execution 4,5° with closeable cooling jets, including length adjusting screw
 Mandrin de frettage HSK-A100, exécution 4,5° avec canal d'arrosage obturables, vis de réglage axial inclus
 Mandrini per calettamento a caldo HSK-A100, rastremazione 4,5° con ugelli di adduzione otturabili, inclusa vite per regolazione assiale



69873 69893-1

Bestell-Nr. order number No.	HSK	Ø d1	Ø d2	Ø d3	A	l1	l2	l3			
995 - A10006A85	A100	6	21	27	85	56	36	10	948-001	G2,5/15.000	
995 - A10006A120	A100	6	21	27	120	91	36	10	948-001		
995 - A10006A160	A100	6	21	27	160	131	36	10	948-001		
995 - A10006A200	A100	6	21	27	200	171	36	10	948-001		
995 - A10008A85	A100	8	21	27	85	56	36	10	948-002		
995 - A10008A120	A100	8	21	27	120	91	36	10	948-002		
995 - A10008A160	A100	8	21	27	160	131	36	10	948-002		
995 - A10008A200	A100	8	21	27	200	171	36	10	948-002		
995 - A10010A90	A100	10	24	32	90	61	41	10	948-003		
995 - A10010A120	A100	10	24	32	120	91	41	10	948-003		
995 - A10010A160	A100	10	24	32	160	131	41	10	948-003		
995 - A10010A200	A100	10	24	32	200	171	41	10	948-003		
995 - A10012A95	A100	12	24	32	95	66	47	10	948-004		
995 - A10012A120	A100	12	24	32	120	91	47	10	948-004		
995 - A10012A160	A100	12	24	32	160	131	47	10	948-004		
995 - A10012A200	A100	12	24	32	200	171	47	10	948-004		
995 - A10014A95	A100	14	27	34	95	66	47	10	948-004		
995 - A10014A120	A100	14	27	34	120	91	47	10	948-004		
995 - A10014A160	A100	14	27	34	160	131	47	10	948-004		
995 - A10014A200	A100	14	27	34	200	171	47	10	948-004		
995 - A10016A100	A100	16	27	34	100	71	50	10	948-005		
995 - A10016A120	A100	16	27	34	120	91	50	10	948-005		
995 - A10016A160	A100	16	27	34	160	131	50	10	948-005		
995 - A10016A200	A100	16	27	34	200	171	50	10	948-005		
995 - A10018A100	A100	18	33	42	100	71	50	10	948-005		
995 - A10018A160	A100	18	33	42	160	131	50	10	948-005		
995 - A10020A120	A100	20	33	42	120	91	52	10	948-006		
995 - A10020A160	A100	20	33	42	160	131	52	10	948-006		
995 - A10020A200	A100	20	33	42	200	171	52	10	948-006		
995 - A10025A115	A100	25	44	53	115	86	58	10	948-006		
995 - A10025A160	A100	25	44	53	160	131	58	10	948-006		