



NEW

GT5-26

The 5-axis vise by SMW-AUTOBLOK

FULLY SEALED

Protected spindle

QUICK JAW CHANGE

For minimum set-up times

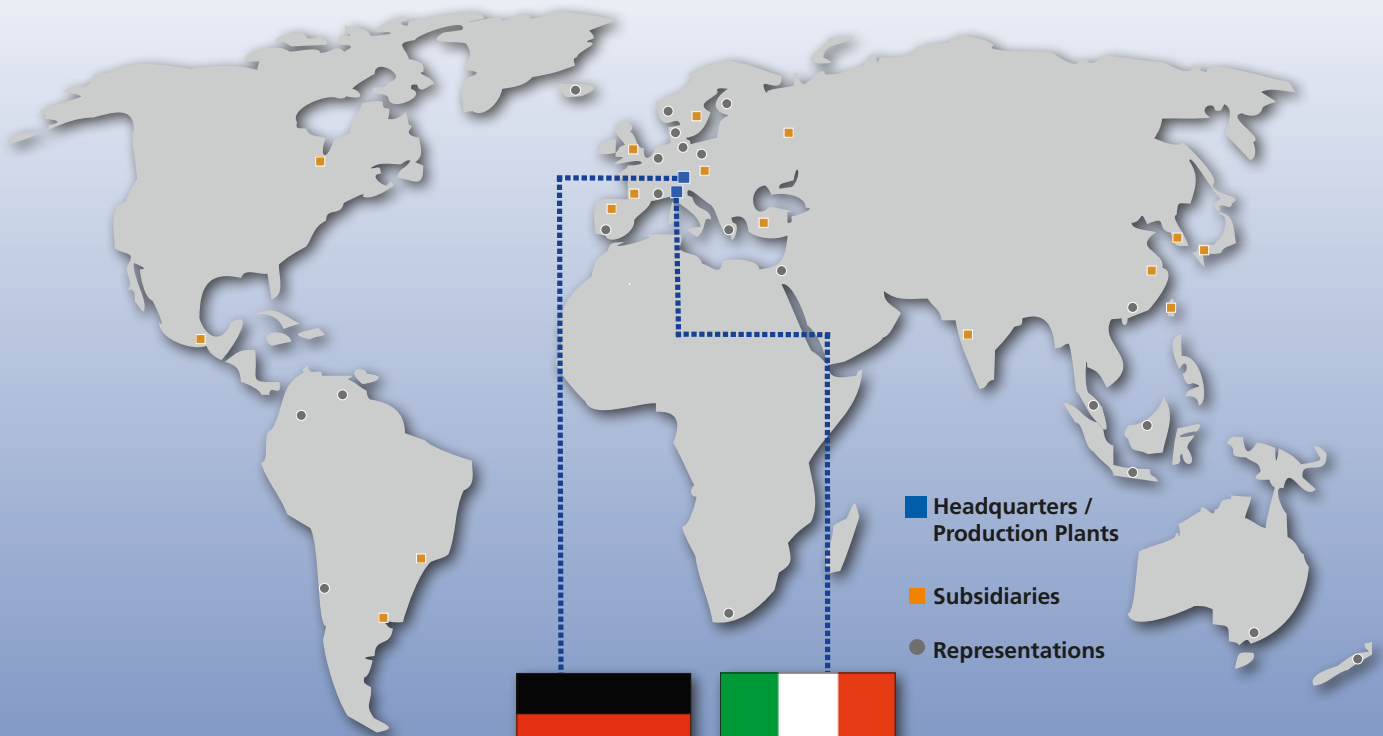
CLAMPING RANGE EXTENSIONS

Up to 1335 mm without loss of clamping force



www.stationary-workholding.de

SMW-AUTOBLOK worldwide



SMW-AUTOBLOK manufacturing plant Meckenbeuren
Development | Manufacturing | Sales | Service | Support



AUTOBLOK plant Caprie-Torino



Visit our Webseite: www.stationary-workholding.de

Latest product catalog | Product innovations | Contact data | 3D Customer data

Product range



Page 4

GT5-2G

- Description of operation



Page 6

Configuration kit

- Clamping range extension
- Guide rail extension



Page 8

Technical data

- Application / customer benefits
- Ordering numbers standard
- Technical features



Page 9

Configurations

- GT5-2G Universal assembly
- GT5-2G-Drive unit - single position
- GT5-2G-Guide rail - single position



Page 10

Top jaws

- Stepped reversible jaws
- Soft jaws aluminium / steel
- Narrow clamping jaws
- SinterGrip



Page 13

Accessories

- Guide rail extension GSV
- Spindle extension SV
- Straddle clamps TSP

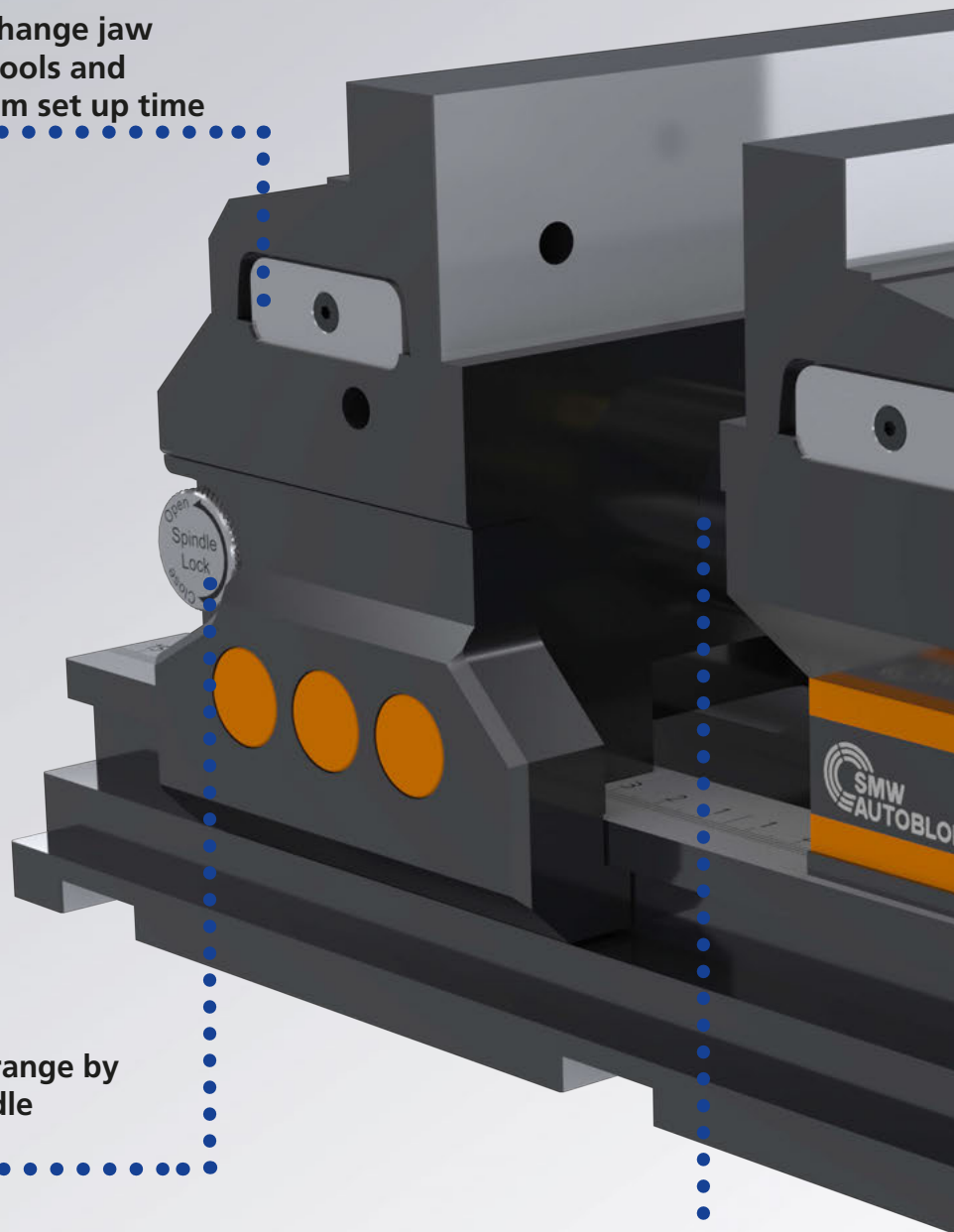
NEW GENERATION

The flexible 5-Axis Vise

proofline® series
fully sealed – low maintenance

GT5-2G

Innovative quick change jaw system - without tools and screws for minimum set up time



Simple extension of the clamping range by using different guide rail and spindle extensions (up to 1335 mm)

Telescopic actuating spindle Proofline - sealed and low maintenance

Clamping glossary

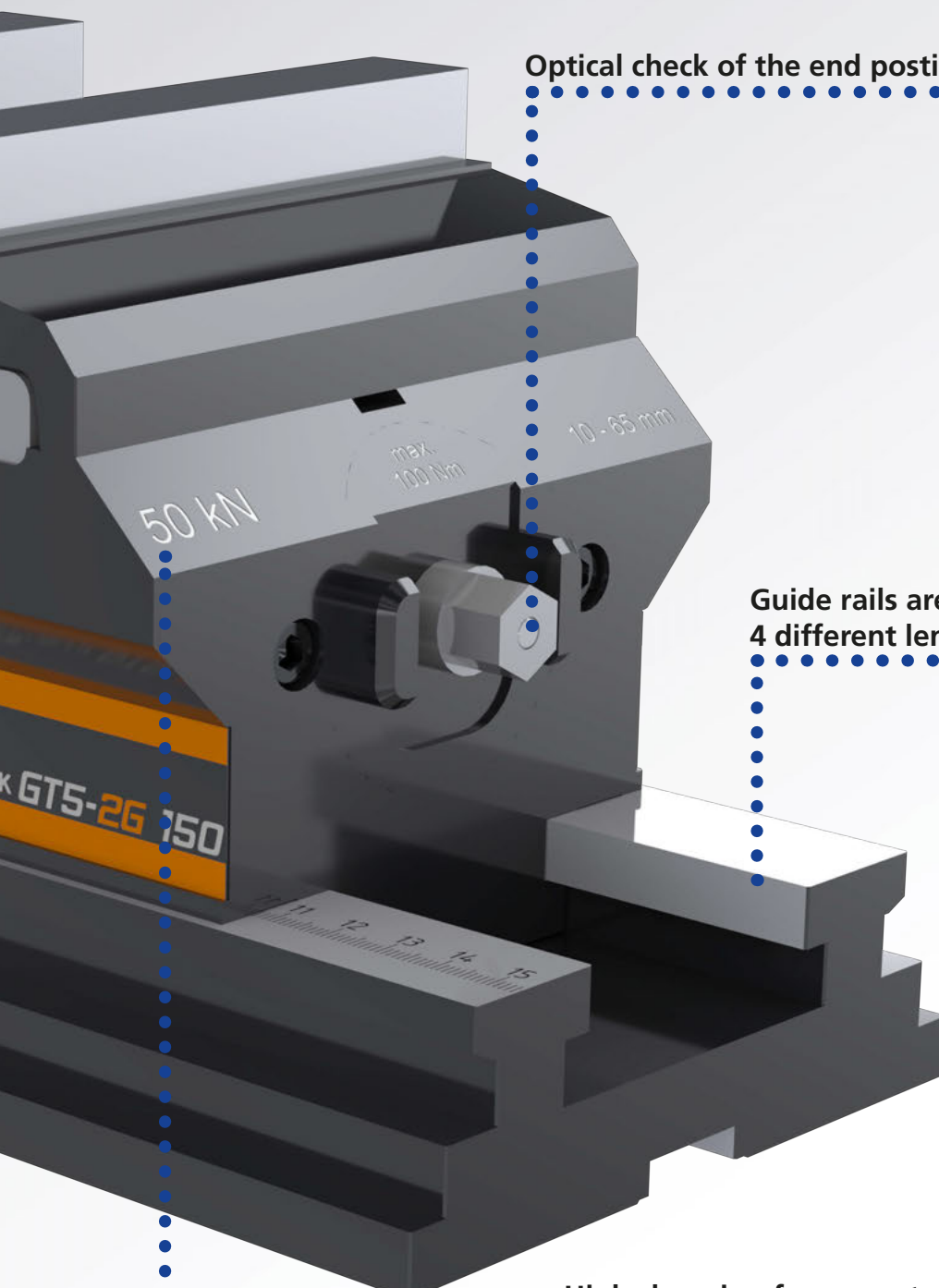
GT5-2G: The 5-axis vise GT5-2G is built in a sophisticated and user friendly modular system. The GT5-2G consist of a moveable jaw and a fixed jaw which are mounted on a guide rail. The guide rails are available in different lengths and are extendable, so the GT5-2G can be custom configured. Available with wide range of top jaws to cover a complete spectrum of 5-axis machining.

Jaw quick change: The top jaws can be changed within seconds without using tools or screws. The time savings reduces production costs.

Extension of the clamping range: The clamping range of the GT5-2G can quickly be extended up to a clamping length of 1.335 mm. This can be done by using different guide rails and spindle extensions.

Check of the end position: By the optical check for the end position the user will notice if the work piece is clamped safely with enough clamping force and residual stroke. This secures highest reliability during the machining process.

Actuation: The telescopic spindle is permanently lubricated, sealed and is low maintenance. The integrated power amplifier creates clamping forces up to 50 kN. This guarantees constant high clamping forces. Pre punching of the workpiece is not needed.



Optical check of the end position monitoring

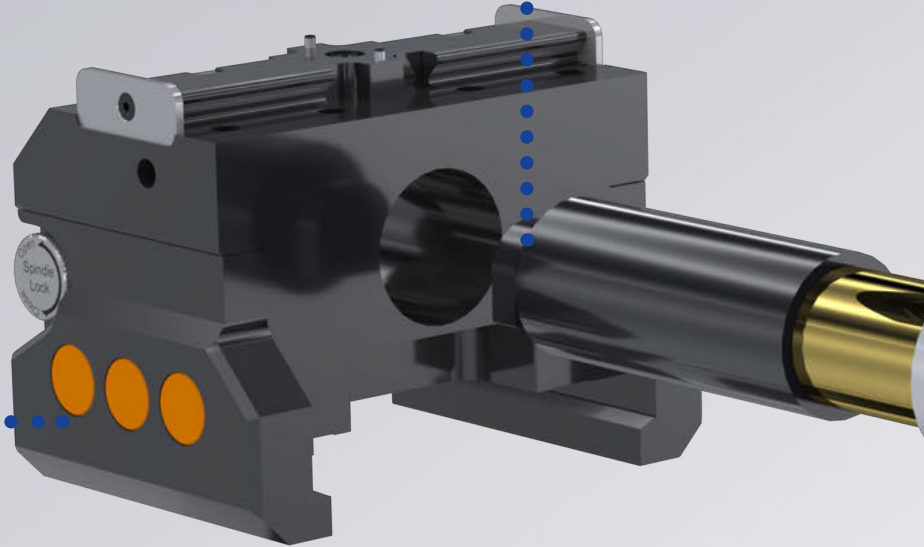
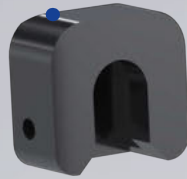
Guide rails are available in 4 different length dimensions

High clamping forces up to 50 kN

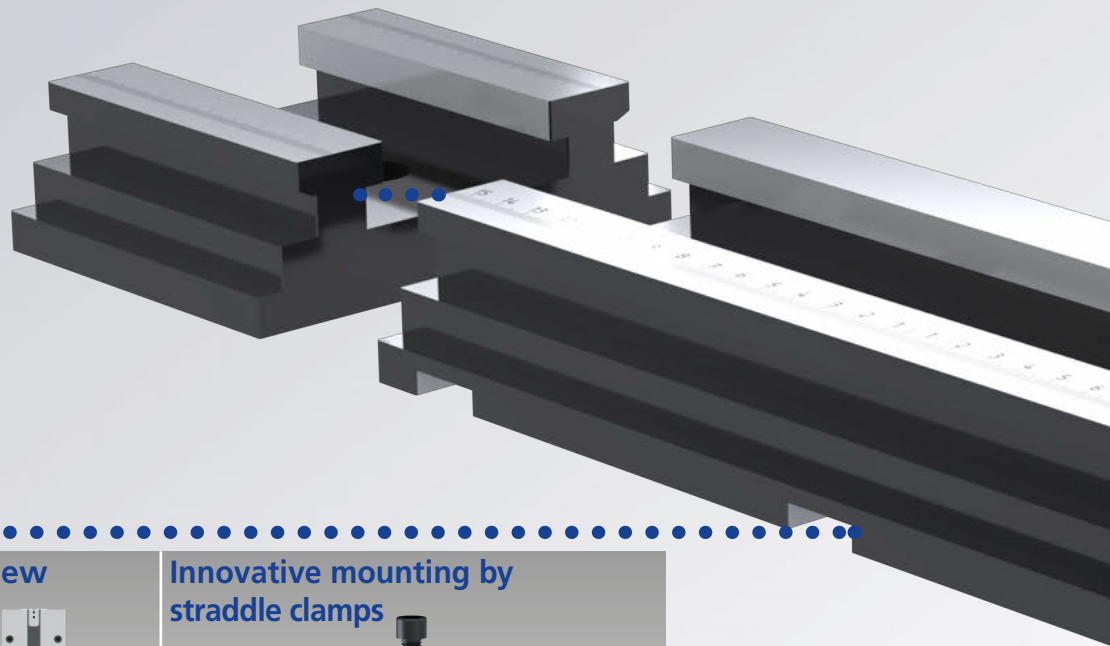
CONFIGURATION KIT

GT5-2G universal configuration

Quick change system for spindle extension



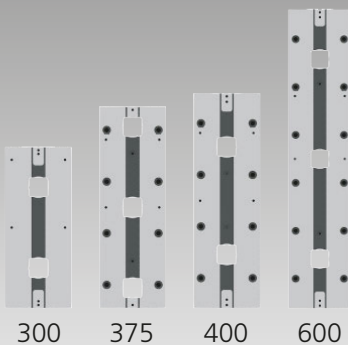
Fixed jaw



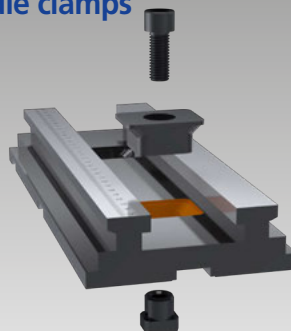
Guide rail

Guide rail in 4 different length dimension available

Guide rail length overview



Innovative mounting by straddle clamps



Large range of stepped reversible top jaws



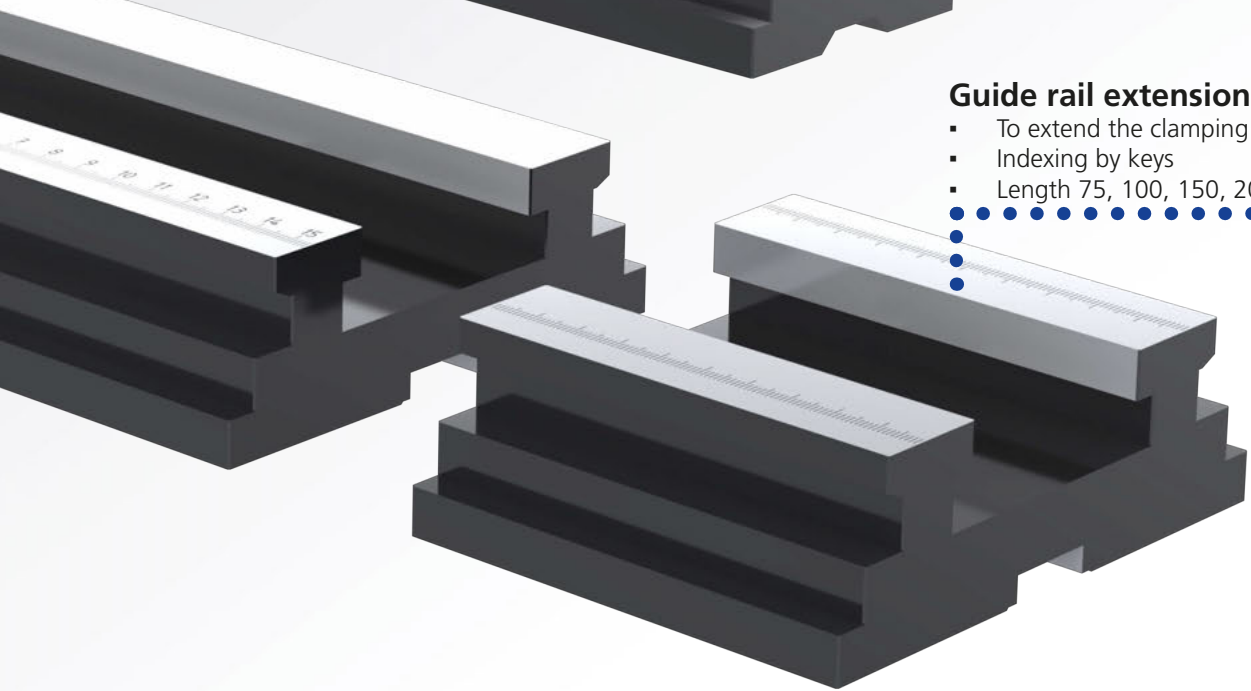
Moving jaw

(Moving jaw + fixed jaw + spindle available as GT5-2G-drive unit in 3 different heights)



Guide rail extension (GSV)

- To extend the clamping range
- Indexing by keys
- Length 75, 100, 150, 200 mm



- Fully sealed – Protected spindle
- Highest reliability and repeatability

Application/customer benefits

- Quick jaw change without tools
- Clamping range extension in seconds with spindle extensions
- High clamping force from a power amplifier - no pre-punching necessary
- Protected fully sealed spindle
- Plane surface for parallels used for finish machining
- Variable positioning of the fixed jaw
- Optical monitoring end position
- Clamps can be used for inside and outside clamping
- Guide rail extendable on machine table (T-slot aligned)

Technical features

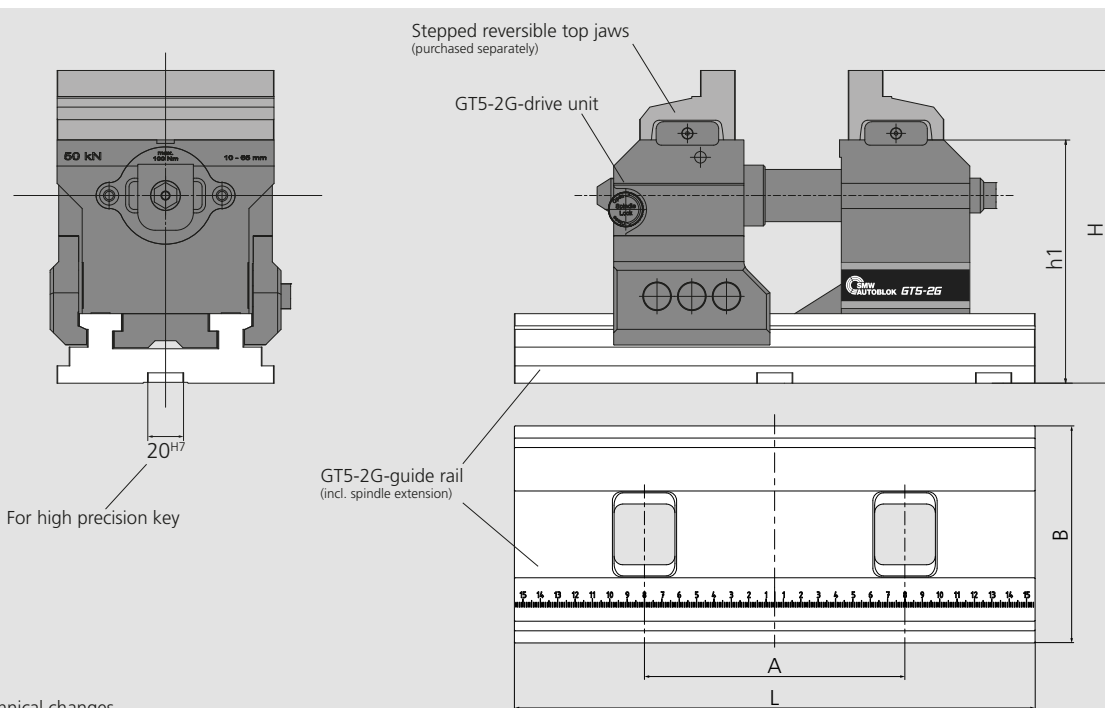
- Max. clamping force 50 kN at 100 Nm
- Clamping range 10 to 1335 mm (basic stroke 60 mm)

Standard equipment

GT5-2G-drive unit,
GT5-2G-guide rail +
corresponding spindle extensions

Ordering example

GT5-2G 150 PREMIUM 463332,
Stepped reversible top jaws grip 463285,
2 pieces straddle-clamps TSP 463308



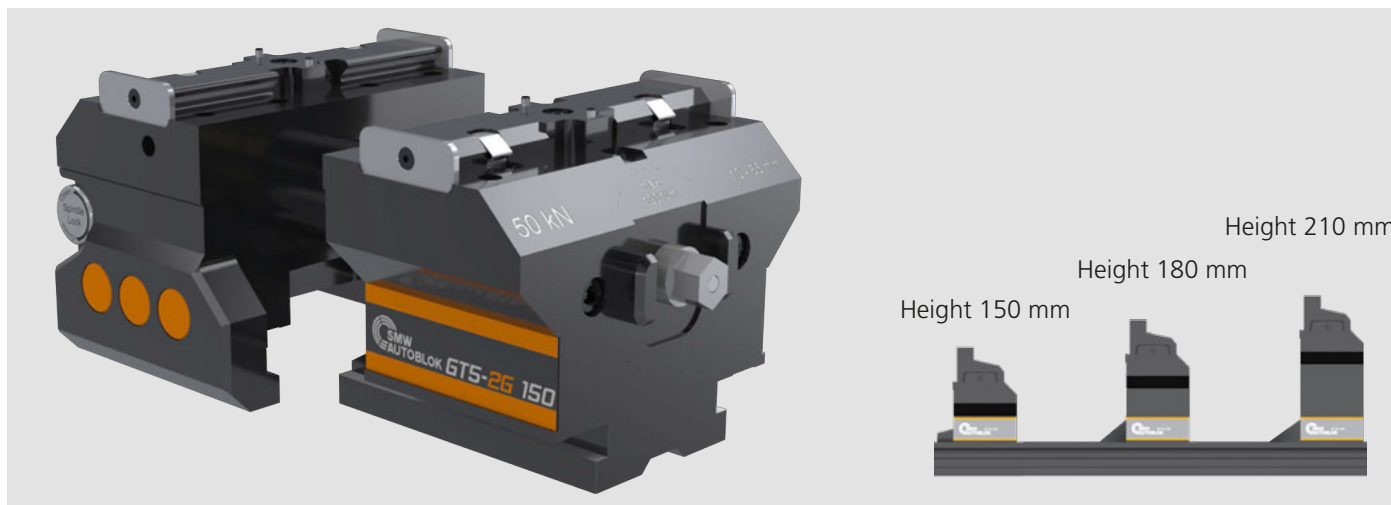
Subject to technical changes.

Type GT5-2G-Premium		GT5-2G 150				GT5-2G 180				GT5-2G 210			
Length L	mm	300	375	400	600	300	375	400	600	300	375	400	600
Id.No. GT5-2G		463332	463323	463326	463329	463333	463324	463327	463330	463334	463325	463328	463331
Height incl. top jaw H	mm	150				180				210			
Height w/o top jaw h1	mm	110				130				160			
A		150		200		150		200		150		200	
B		125				125				125			
D		40				40				40			
Clamping force max.	kN	50				50				50			
Clamping torque max.	Nm	100				100				100			
Clamping range	mm	10 - 235	10 - 310	10 - 335	10 - 535	10 - 235	10 - 310	10 - 335	10 - 535	10 - 235	10 - 310	10 - 335	10 - 535
Number of clamps		2	3	2	3	2	3	2	3	2	3	2	3
GT5-2G guide rails*		463238	463239	463240	463242	463238	463239	463240	463242	463238	463239	463240	463242
GT5-2G drive unit*		463226				463227				463228			

* GT5-2G configurable according to customer requirements (see next page)

- GT5-2G drive unit - single item
- GT5-2G guide rail - single item

GT5-2G-drive unit-PREMIUM

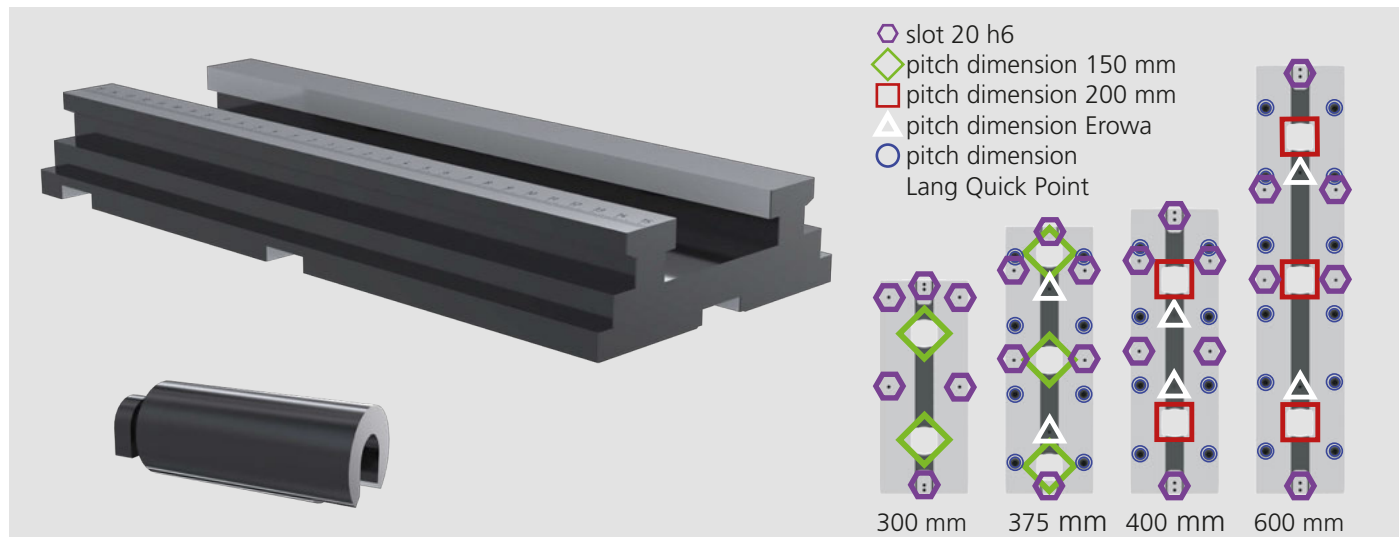


Type	Id. No.
GT5-2G-drive unit-150-PREMIUM	463226
GT5-2G-drive unit-180-PREMIUM	463227
GT5-2G-drive unit-210-PREMIUM	463228

Standard equipment GT5-2G-drive unit:

- Fixed jaw
- Moveable jaw
- Telescopic spindle

GT5-2G-guide rail

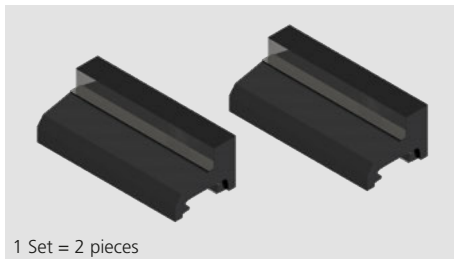


Type	Id. No.
GT5-2G-guide rail GS 300	463238
GT5-2G-guide rail GS 375	463239
GT5-2G-guide rail GS 400	463240
GT5-2G-guide rail GS 600	463242

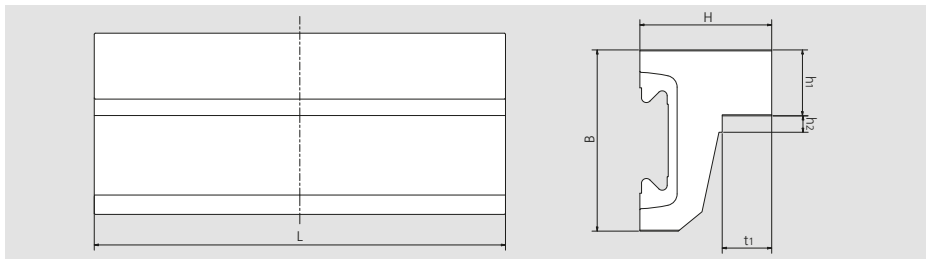
Standard equipment GT5-2G-guide rail:

- Guide rail
- Necessary spindle extensions SV

GT5-2G stepped reversible top jaws smooth

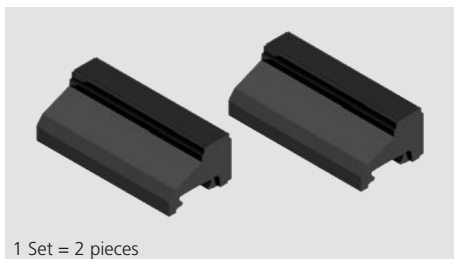


1 Set = 2 pieces

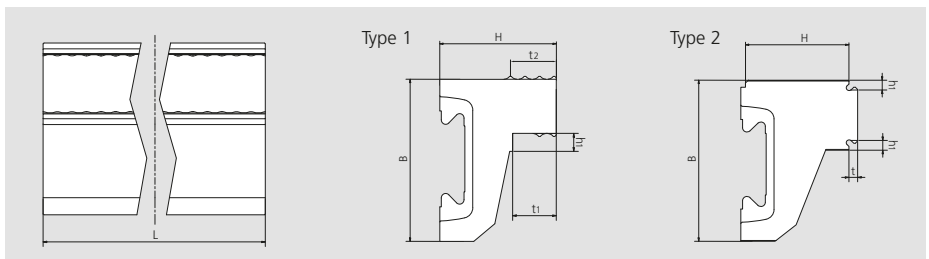


Type	Id. No.	L [mm]	H [mm]	B [mm]	h ₁ [mm]	h ₂ [mm]	t ₁ [mm]
Stepped jaws smooth	463280	124.8	40	55	20	5	15

GT5-2G stepped reversible top jaws grip



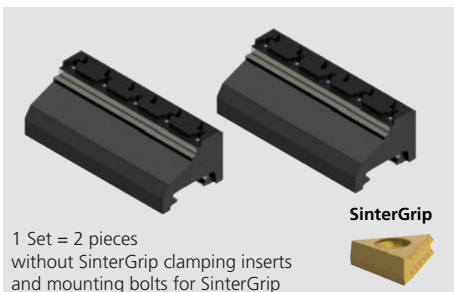
1 Set = 2 pieces



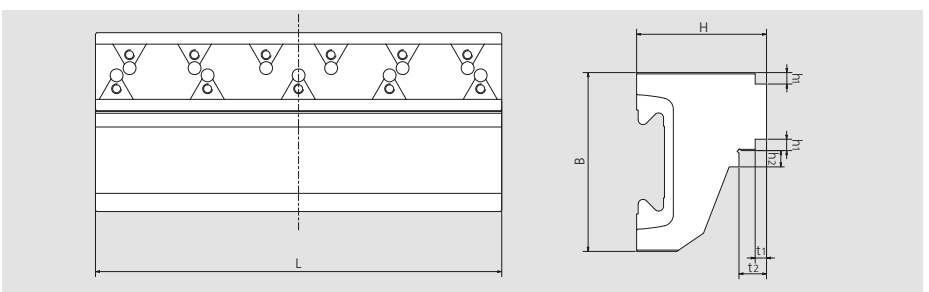
Type 1	Id. No.	L [mm]	H [mm]	B [mm]	h ₁ [mm]	t ₁ [mm]	t ₂ [mm]
Stepped jaws grip	463284	124.8	40	54	6	15	15.75

Type 2	Id. No.	L [mm]	H [mm]	B [mm]	h ₁ [mm]	t [mm]
Stepped reversible top jaws grip 3mm	463281	124.8	40	57.5	3.5	3
Stepped reversible top jaws grip 5mm	463282	124.8	40	57.5	3.5	5
Stepped reversible top jaws grip 8mm	463283	124.8	40	57.5	3.5	8

GT5-2G stepped reversible top jaws SinterGrip

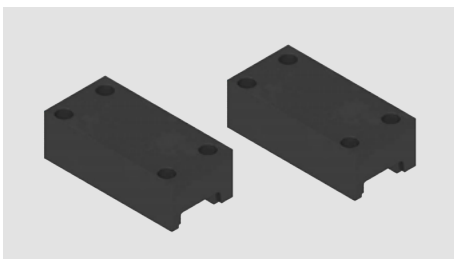


1 Set = 2 pieces
without SinterGrip clamping inserts
and mounting bolts for SinterGrip

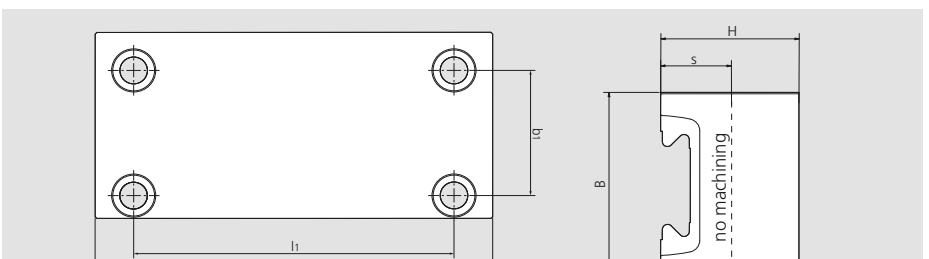


Type	Id. No.	L [mm]	H [mm]	B [mm]	h ₁ [mm]	h ₂ [mm]	t ₁ [mm]	t ₂ [mm]	SinterGrip / jaw
Stepped reversible top jaws SinterGrip	463286	124.8	40	55	3.5	5	3.5	8.5	6 + 5

GT5-2G soft jaws aluminium / steel



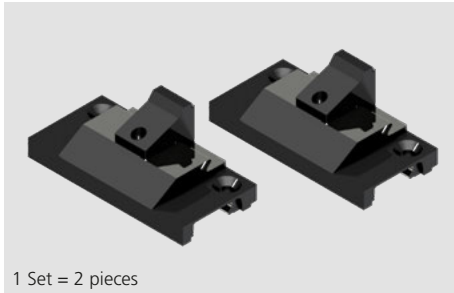
1 Set = 2 pieces incl. mounting bolts



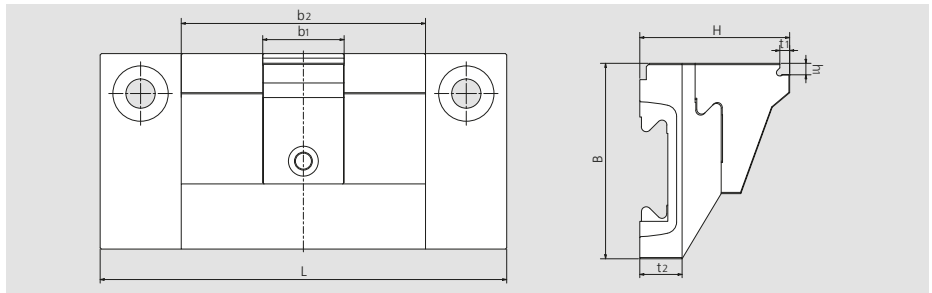
Type	Id. No.	L [mm]	l ₁ [mm]	B [mm]	b ₁ [mm]	H [mm]	s [mm]
Soft jaws aluminium	463287	124.8	100	60	40	40	20
Soft jaws steel	463288	124.8	100	60	40	40	20

*Attention! No quick jaw change, top jaws must be secured by mounting bolts.

GT5-2G narrow top jaws smooth



1 Set = 2 pieces

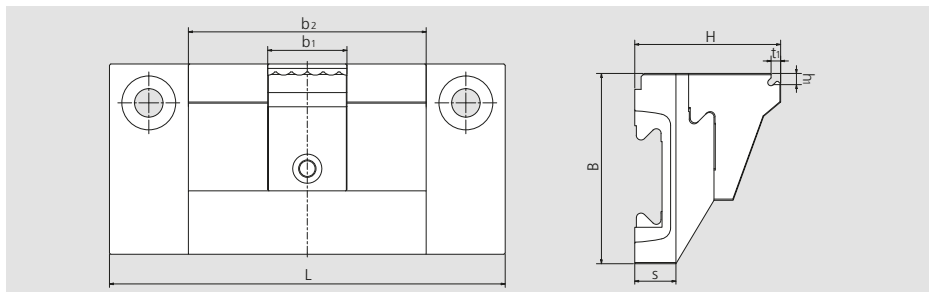


Type	Id. No.	L [mm]	H [mm]	B [mm]	b ₁ [mm]	b ₂ [mm]	h ₁ [mm]	t ₁ [mm]	t ₂ [mm]
Adapter plate (incl. mounting bolts)	463289	124.8	-	60	-	75	-	-	13
Narrow jaw smooth 25 mm width	463290	124.8	46	60	25	75	3.5	3	13
Narrow jaw smooth 35 mm width	463291	124.8	46	60	35	75	3.5	3	13
Narrow jaw smooth 45 mm width	463292	124.8	46	60	45	75	3.5	3	13
Narrow jaw smooth 55 mm width	463293	124.8	46	60	55	75	3.5	3	13
Narrow jaw smooth 65 mm width	463294	124.8	46	60	65	75	3.5	3	13
Narrow jaw smooth 75 mm width	463295	124.8	46	60	75	75	3.5	3	13
Narrow jaw smooth 85 mm width	463296	124.8	46	60	85	75	3.5	3	13
Narrow jaw smooth 95 mm width	463297	124.8	46	60	95	75	3.5	3	13

GT5-2G narrow top jaws grip



1 Set = 2 pieces



Type	Id. No.	L [mm]	H [mm]	B [mm]	b ₁ [mm]	b ₂ [mm]	h ₁ [mm]	t ₁ [mm]	s [mm]
Adapter plate (incl. mounting bolts)	463289	124.8	-	60	-	75	-	-	13
Narrow top jaws grip 25 mm width	463298	124.8	46	60	25	75	3.5	3	13
Narrow top jaws grip 35 mm width	463299	124.8	46	60	35	75	3.5	3	13
Narrow top jaws grip 45 mm width	463300	124.8	46	60	45	75	3.5	3	13
Narrow top jaws grip 55 mm width	463301	124.8	46	60	55	75	3.5	3	13
Narrow top jaws grip 65 mm width	463302	124.8	46	60	65	75	3.5	3	13
Narrow top jaws grip 75 mm width	463303	124.8	46	60	75	75	3.5	3	13
Narrow top jaws grip 85 mm width	463304	124.8	46	60	85	75	3.5	3	13
Narrow top jaws grip 95 mm width	463305	124.8	46	60	95	75	3.5	3	13

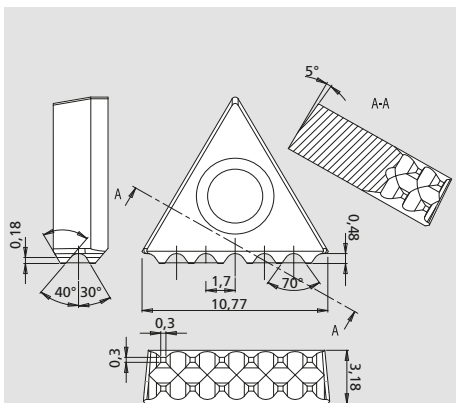
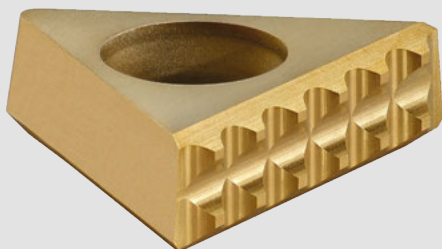
- Low clamping depth
- High stability and active vibration absorption

Application/customer benefits

- Very low clamping depth (only 3.5 mm) ensures safe clamping of the workpieces: Highest efficiency and productivity resulting in lower material costs and less machining costs
- No pre-marking necessary: Eliminates costs for a pre-mark machine and set-up times
- Highest stability and active vibration absorption
- Pull-down effect due to the special row of the teeth
- Increases cutting speeds compared to other systems
- Simple manufacturing of jaws for SinterGrip inserts by the customer
- Maximum lifetime

Technical features

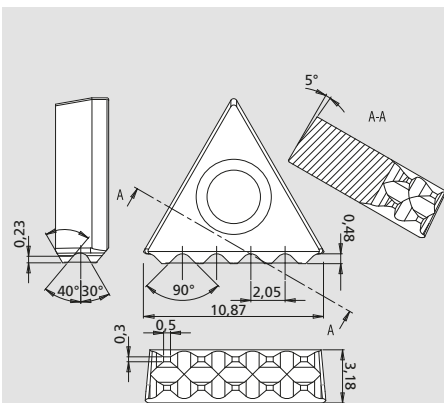
- Clamping depth only 3.5 mm
- 3 different versions for steel, hardened steel / titanium (up to 54 HRC) and aluminium / plastic
- Made from coated carbide steel



SinterGrip STD

Clamping insert
for steel

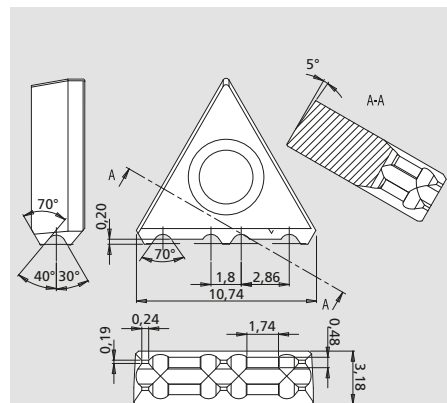
Id. No. 58450119



SinterGrip HRC

Clamping insert
for hardened steel
and titanium until 54 HRC

Id. No. 58450129



SinterGrip ALU

Clamping insert
for aluminium
and plastic

Id. No. 58450139

Order review



Type	Id. No.
SinterGrip STD	58450119

Consisting of 10 pcs. clamping inserts
(without bolts; Order no. SinterGrip bolt-set 58450219)



Type	Id. No.
SinterGrip HRC	58450129

Consisting of 10 pcs. clamping inserts
(without bolts; Order no. SinterGrip bolt-set 58450219)

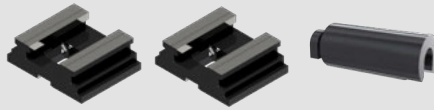


Type	Id. No.
SinterGrip ALU	58450139

Consisting of 10 pcs. clamping inserts
(without bolts; Order no. SinterGrip bolt-set 58450219)

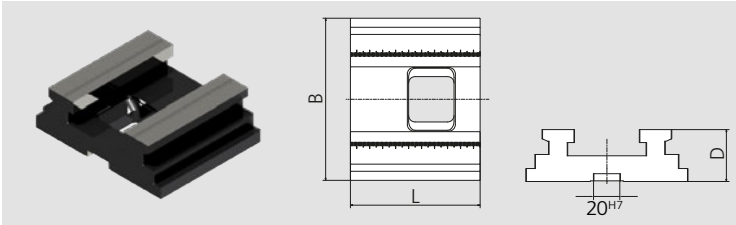
Clamping range extension kit

Each kit consisting of:
2x Guide rail extension GSV
and 1x Spindle extension SV



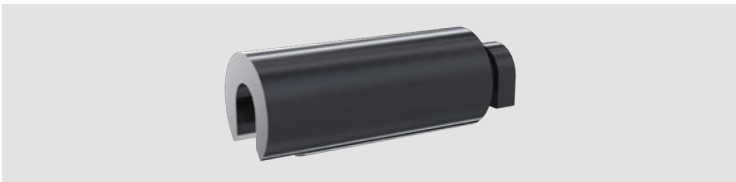
Type	Id. No.	L [mm]
Clamping range extension kit 150	463276	150
Clamping range extension kit 200	463277	200
Clamping range extension kit 300	463278	300
Clamping range extension kit 400	463279	400

Guide rail extension GSV



Type	Id.-No.	B [mm]	D [mm]	L [mm]
GSV 75	463272	125	40	75
GSV 100	463273	125	40	100
GSV 150	463274	125	40	150
GSV 200	463275	125	40	200

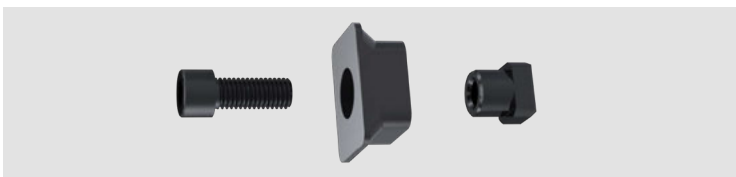
Spindle extension SV



Type	Id. No.	L [mm]
SV 50	463267	50
SV 100	463268	100
SV 200	463269	200
SV 300	463270	300
SV 400	463271	400

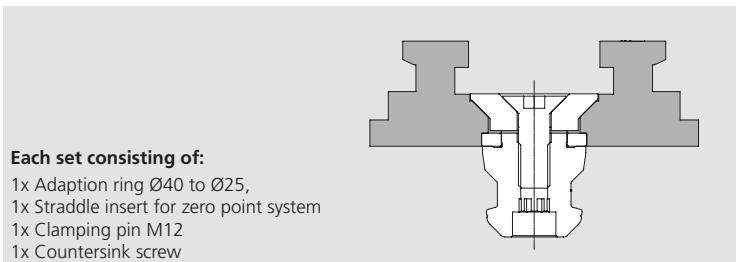
*Spindle extension: max. total 1200 mm / max. 4 pcs. spindle extensions

Straddle-clamp TSP + T-nut + cylinder screw



Type	Id.-No.	slot width [mm]
TSP 14	463307	14
TSP 16	463308	16
TSP 18	463309	18

Adaptation set for zero point clamping system



Each set consisting of:
1x Adaption ring Ø40 to Ø25,
1x Straddle insert for zero point system
1x Clamping pin M12
1x Countersink screw

Type	Id. No.
Adaption set for zero point clamping system - clamping pin type A	463320
Adaption set for zero point clamping system - clamping pin type B	463321
Adaption set for zero point clamping system - clamping pin type C	463322

High precision key

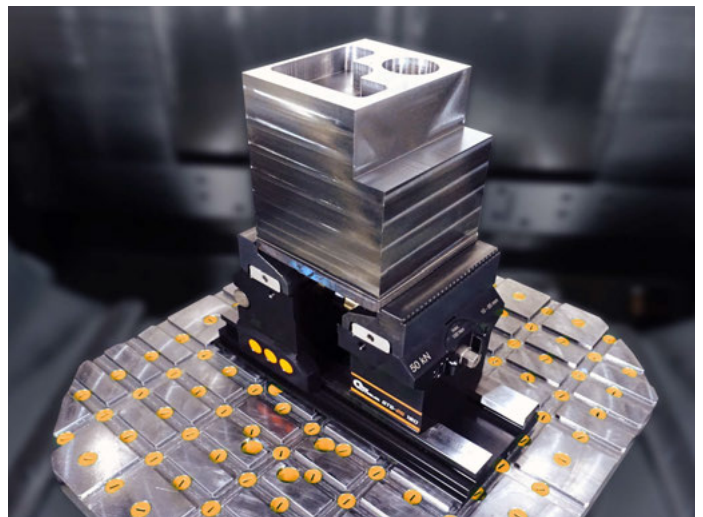
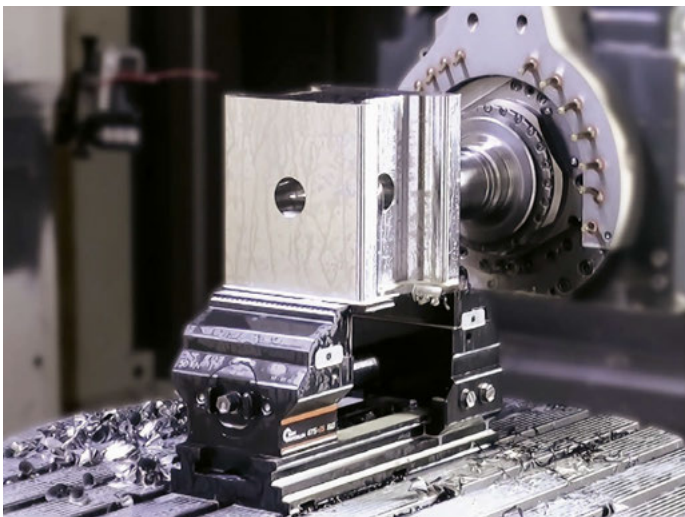
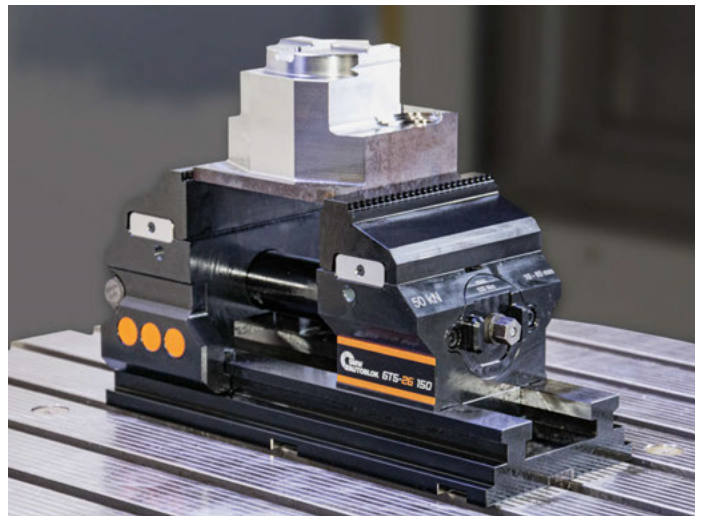
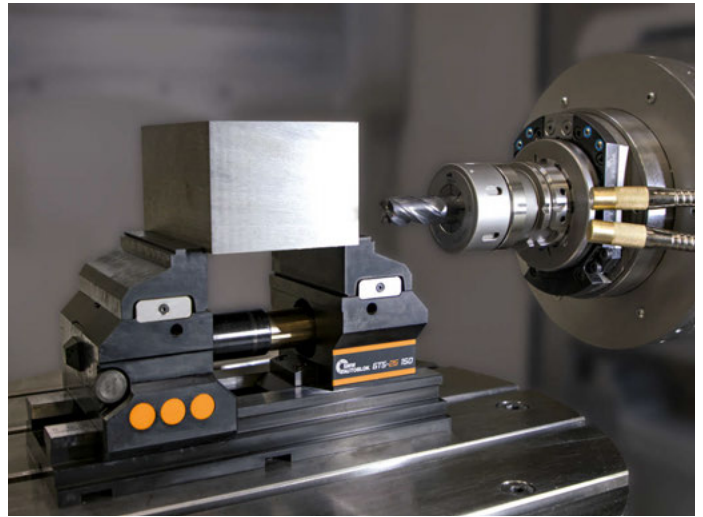


Type	Id. No.	L [mm]
High precision key 20-14	209058	14
High precision key 20-16	209581	16
High precision key 20-18	208916	18
High precision key 20-22	209582	22

Torque wrench

Each kit consisting of:
1x Torque wrench + 1x socket 13 mm

Type	Id. No.
Torque wrench 20 - 100 Nm	463318





ZIBTRPRO
tehnologija obdelave · vpenjalni sistemi