



Tooling System for Brother's *SPEEDIO* M140X2 - M200Xd1 - M200Xd1-5AX - M300X3



SPEEDIO

Turning center + Machining center



For External / Facing

SBV·A

Code	Model	L	L1	L2	L3	L4	B1	B2	B3	H1	H2	H3	G	Kg
2120 12020098	BT30 -SBV2020 RA	98	50	57	7	30	20	20	41	29	29	9	M10	2.0
2120 12120098	LA													

1. Direction of the coolant nozzle is adjustable.
2. Please replace the standard coolant nozzle with the replacement copper tube coolant nozzle (included) in case coolant is not reaching the cutting edge.
3. Please shorten the square bit if necessary.
4. The location of the square bit can be changed by re-positioning the plate.

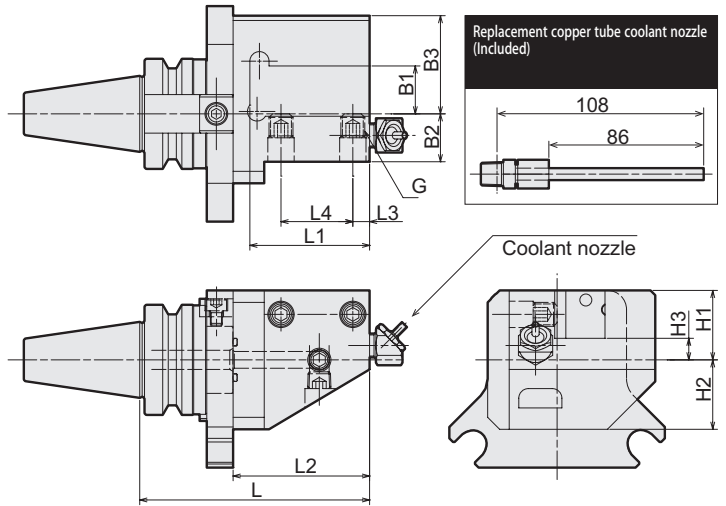
Ordering Example

BT30 - SBV 2020 R A - 98

Shank size

Left hand - L
Right hand - R

Projection length



Right hand type shown above.

For Facing

SBH·A

Code	Model	L	L1	L2	B1	B2	B3	H1	H2	H3	H4	G	Kg
2120 11020081	BT30 -SBH2020 RA	81	20	40	20	41	20	29	29	13	32	M10	1.8
2120 11120081	LA												

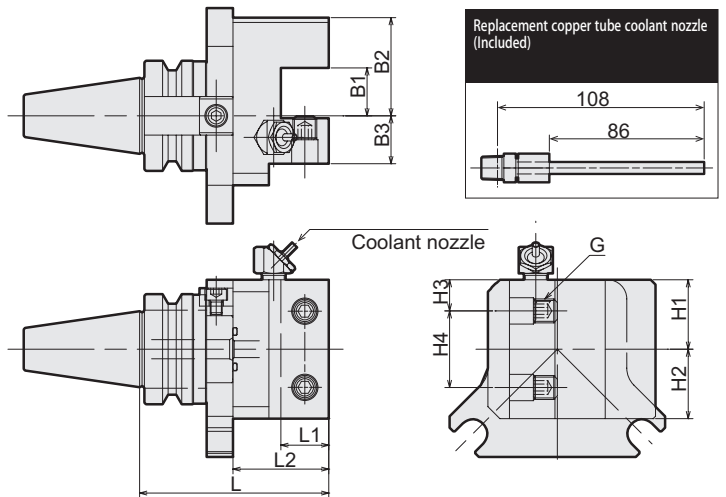
1. Direction of the coolant nozzle is adjustable.
2. Please replace the standard coolant nozzle with the replacement copper tube coolant nozzle (included) in case coolant is not reaching the cutting edge.
3. Please shorten the square bit if necessary.
4. The location of the square bit can be changed by re-positioning the plate.

Ordering Example

BT30 - SBH 2020 R A - 81

Shank size

Left hand - L
Right hand - R



Right hand type shown above.

For Boring bar

TSB

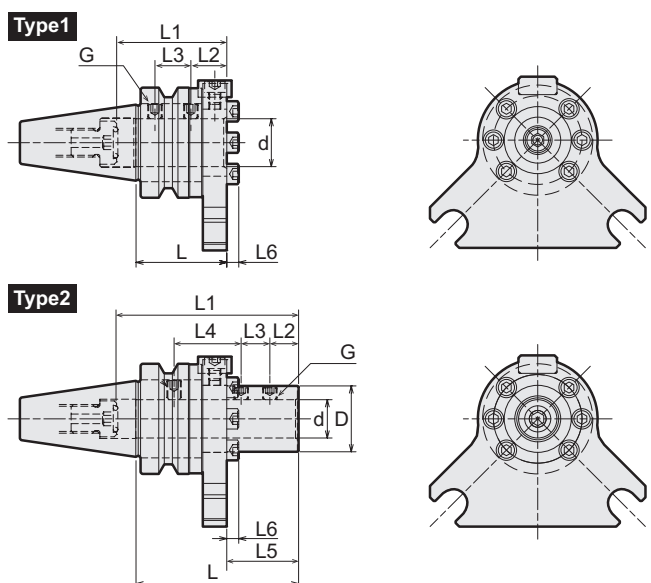
Code	Model	Type	d	D	L	L1	L2	L3	L4	L5	L6	G	Kg
2120 00010038	BT30 -TSB10 - 38	1	10	-	38	40	15	15	-	-	5	M6	0.8
2120 00010068	BT30 -TSB10 - 68	2	10	20	68	45	12	12	-	30	5	M6	0.9
2120 00012038	BT30 -TSB12 - 38	1	12	-	38	40	15	15	-	-	5	M6	0.8
2120 00012068	BT30 -TSB12 - 68	2	12	22	68	65	12	12	26	30	5	M6	0.9
2120 00016038	BT30 -TSB16 - 38	1	16	-	38	46	15	15	-	-	5	M6	0.8
2120 00016068	BT30 -TSB16 - 68	2	16	27.5	68	76	12	12	26	30	5	M6	0.9
2120 00020038	BT30 -TSB20 - 38	1	20	-	38	46	15	15	-	-	5	M6	0.8

Ordering Example

BT30 - TSB 20 - 38

Shank size

Projection length



Retention Stud

- PSB-0A
- PSB-26 (Center-thru compliant)



If you are using tools with center-through coolant, please use a center-through coolant

Various BT30 shank tool holders are available. Please contact NT TOOL for details.

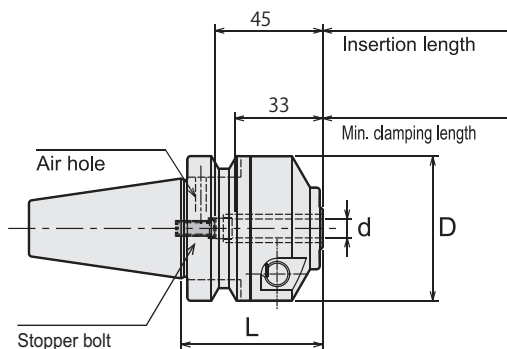
Milling Tool Series

Power Hydro Chuck

PHC·A

Hydro chuck with collet holder flexibility. Suitable for high precision cutting.

For more information, please refer to NTTOOL CATALOG No. 06.



Code	Model	L	d	D	kg
3930 01112045	BT30 - PHC12A - 45	45	12	46	0.6
6080 00115576	Wrench : L-4T	—			

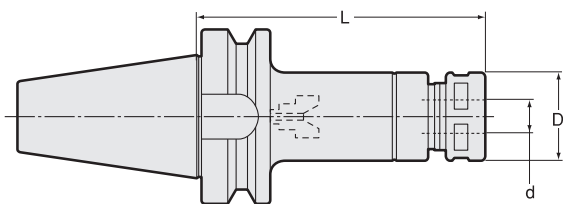
1. Cutting tool shank must be within tolerances specified below ;
Shank diameter less than 6mm : Within h6 tolerance
Shank diameter 6mm and over : Within h7 tolerance
h6 or 0/-0.01 tolerance is recommended when making a new cutting tool.
2. The PHC12A has pin holes for collets with stopper pins.
3. Hex-head screws (included) are necessary to plug air holes for center through coolant feed.

Collet Holder

HDC·A

Suitable for drilling, reaming and finish endmilling.

For more information, please refer to NTTOOL CATALOG No. 06.



Code	Model	L	d	D	kg
2540 10112045	BT30 - HDC12A - 45	45	2.5~12.0	32	0.5
0803 00000013	Spanner : S-3L	—			
—	Collet : FDC-12-AA	ø3.0 ~ ø12.0			
—	Collet : FDC-12OH AA	ø3.0 ~ ø12.0 (cutter with oil hole)			
—	Collet : FDC-12-CAA	ø3.0 ~ ø12.0 (For collet through coolant)			

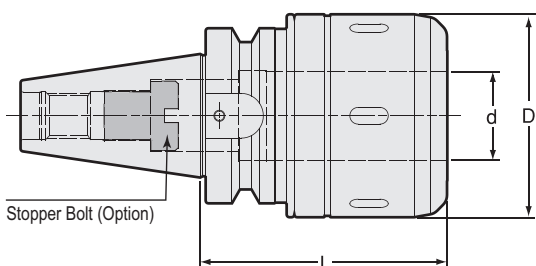
1. Standard preset screw is included.

Super tite-lock Milling Chuck

CT·SA

Slim design milling chuck. Specially designed slits enable heavy endmilling.

For more information, please refer to NT TOOL Catalogue No. 06.



Code	Model	L	d	D	kg
3140 40120075	BT30 - CT20SA - 75	75	20	52	1.0
—	Spanner : HS-2-20	—			
—	Collet : MC-20(ø6~16)	—			

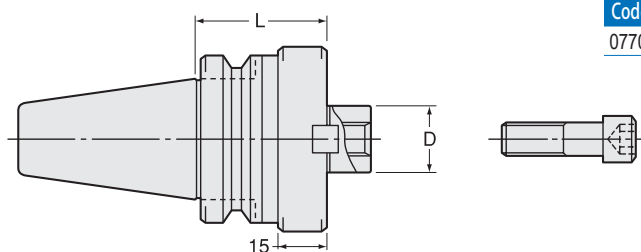
1. When ordering, indicate number of spanners required.
"No charge" spanners are limited to number of milling chucks on order.
2. Tolerance of cutting tool shank must be h7.

Face Mill Arbor

FMH

Coolant flows from the end face of centering location to cutter with oil hole.

For more information, please refer to NTTOOL CATALOG No. 06.



Code	Model	L	D	Clamp bolt
0770 16122060	BT30 - FMH22A - 47 - 60	60	22.4	M12

1. Clamp bolt is Included.